

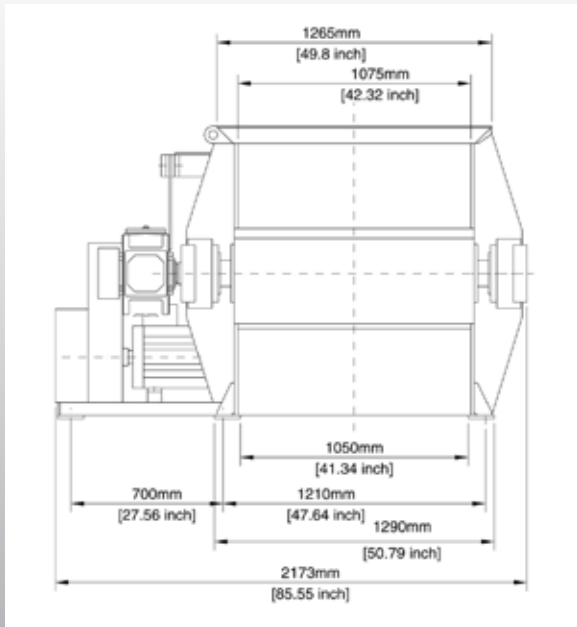
VAZ® 1100 K

Vecoplan®

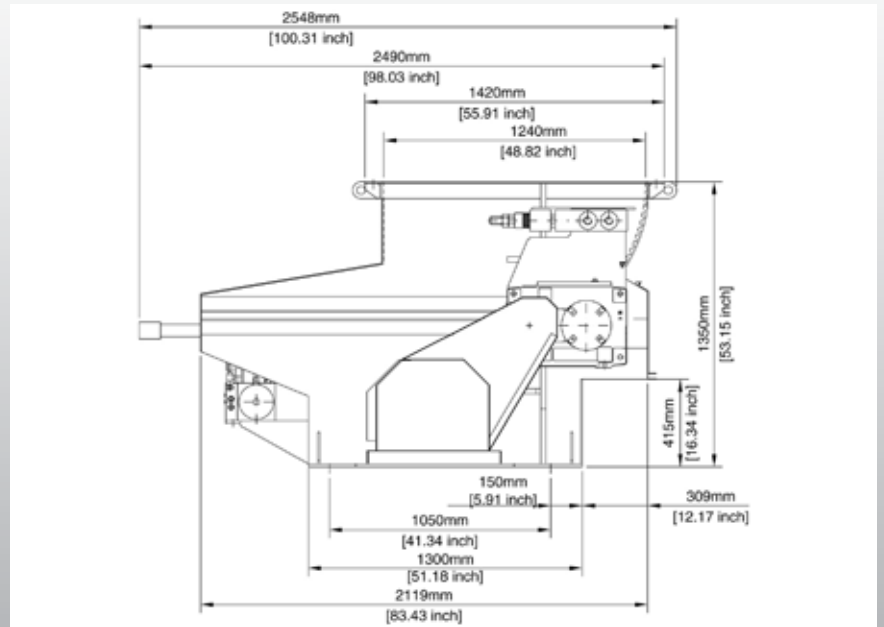


VAZ® 1100 K Rotary Shredder

The Vecoplan VAZ® 1100 K Rotary Shredder is designed especially for size reduction of difficult industrial materials such as plastics, dunnage, wood scrap, medical waste, municipal waste, furniture parts, pallets, carpet, cardboard and paper.



front view



side view

Specifications

Hopper Opening	inch	42x48
Hopper Volume	cubic yards	2.9
Rotor Diameter	inch	10
No. of Cutters	qty	27 (40x40)
Rotor Speed	rpm	120
Drive Motor HP	HP	30
Feed System	HP/speed	3 - 5 / 2
Machine Weight	lbs	5,700
Voltage	V/PH/Hz	460/3/60

Options

- Optional Control Brands
- Quick Disconnect & Quick Clean Screens
- Application Specific Programming & Control Integration
- Special Purpose Screens
- Critical-Duty Drivetrain
- High Speed Ram
- Wear Resistant Cutting Chamber
- Complete Turn-Key Recycling & Reclamation Systems and Material Handling Products Installation

Features

- Low Speed / High Torque Design
- Touch Pad Monitoring & Control
- Easy Accessibility
- Tramp Metal Protection
- Equity "Buyback" Guarantee
- Low RPM / Low Noise
- Large Infeed Hopper
- Precision Hydraulic "Process Ram"
- 4-Way, Indexable Cutting Inserts
- High Output "Torsion Point" Cutting Rotor
- Severe Duty Construction
- Rugged Hydraulics
- Stress-Free Frame, Robotically Welded
- Lifetime Limited Warranty on Cutting Rotor
- Oversized Drivetrain
- Heavy Outboard Spherical Roller Bearings
- Fluid "TurboCoupling"
- PLC Control Panel
- ISO 9001 Manufactured
- Hinged Protective Cylinder Covers
- 0.015" Knife Gap
- Easy Access Screen