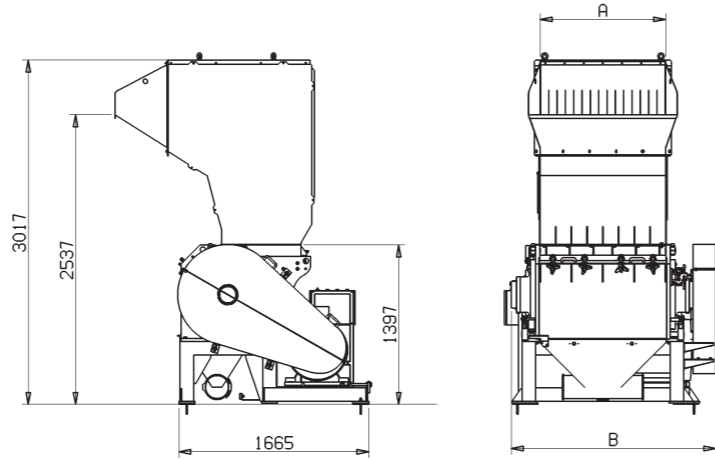


60 XT-BM-TR

FEATURES	70-60		110-60			160-60	
Version	BM	XT	BM	XT	TR	XT	TR
Motor power (kW) 400V	45	55	75	75	55	90	75
Feeding opening (mm)	740x570		1100x570			1600x570	
Knives / counterknives N°	3/2	3-5/2	3/2	3-5/2	3-5/2	5/2	5/2
Forged wet rotor	4/2		4/2			4/2	
Rotor diameter (mm)	500		500			500	
Standard screen (mm)	9		9			9	
Indicative output (kg/h)	700-1000		900-1200			1200-1500	
Rotor speed (rpm)	400		400			400	
Weight (kg) SL	3900		5700			6000	
Knives and screen in antiwear execution	0		0			0	
Traction groups	x	0	x	0	0	0	0
Hopper for pipes and sheets	x	0	x	0	x	0	x
Soundproof box on board	0		0			x	
Wet grinding execution	0		0			x	
Fixed discs	0		0			0	
Hopper for edge trims	x	0	x	0	0	0	x
Soundproof tunnel for conveyor belt	0		0			0	
Level control	0		0			0	
Rotor lock for maintenance	0		0			0	
Sensor for belts slippage	0		0			0	
Discharge with suction group on floor	0		0			0	

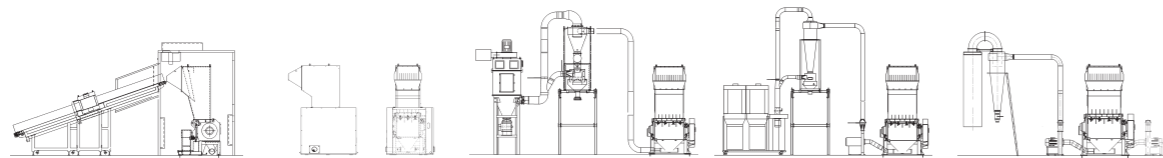
0 = optional x = not available

TYPE	A	B
70-60 BM/XT	720	1430
110-60 BM/XT/TR	1100	1795
160-60 XT/TR	1600	2300



ACCESSORIES | conveyor belt | soundproof on board | suction group on board | LT depowdering system | DP depowdering system

- metal detector
- soundproof tunnel



Visit our test room in Cologno Monzese.  
Over than 15 granulators ready for your test.



Your recycling needs. Our grinding solutions.

TRIA Italy  
www.trioplastics.com

TRIA America  
TRIA Brazil

TRIA China  
TRIA Germany

info@giannirusconi.it

60 XT-BM-TR

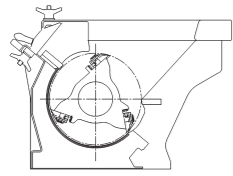
SERIE

© TRIA S.p.A. - ED. 09.2013



Your recycling needs. Our grinding solutions.

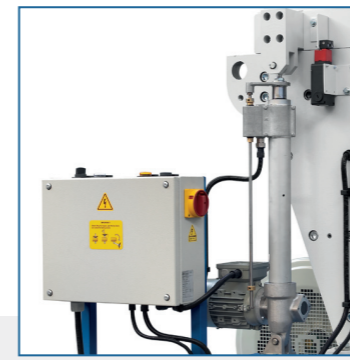
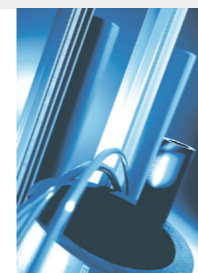
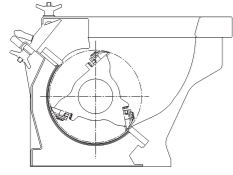
# 60 XT-BM-TR



**VERSION XT** granulators dedicated to scraps recovery from rigid or flexible extrusion for small sprues or heavy moulds suitable also for second step grinding of pre-crushed pieces.

**VERSION TR** granulators equipped with traction groups for the in-line and off-line grinding of film, plates and thermoformed sheets.

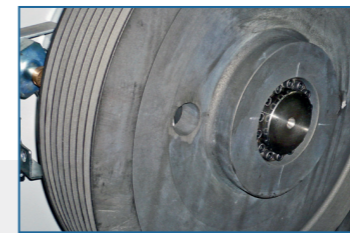
**VERSION BM** granulators dedicated to scraps recovery from blow moulding: runners, blown pieces, in-line parison at high temperatures. Off-line grinding of preforms and blown pieces. Suitable for moulds or bulky and light thermoformed scraps.



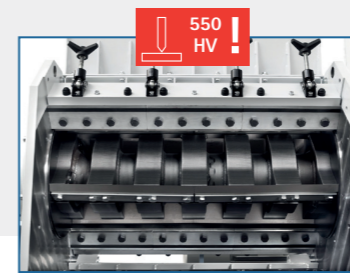
Motorized jack for hopper opening



Rotor lock device for maintenance



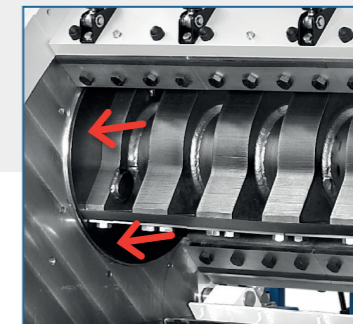
Keys for the fixing of motor pulley and flywheel  
Pulley and flywheel manufactured as per drawing due to high inertia



5 knives rotor with arrow-cutting configuration  
3 knives rotor with arrow-cutting configuration



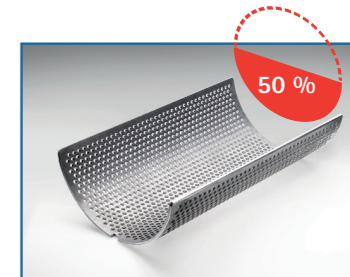
Screen-holder opening by gas cylinder



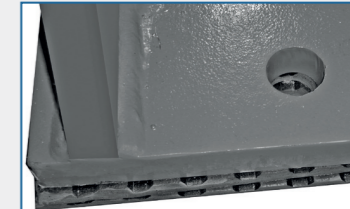
Rotary discs integral with the rotor and rings



Chamber water cooling



Screen equal to approx. 50% of the knives rotation length



Basement on vibration dampers



Bench adjustment of knives and counterknives



Access without tools to the main maintenance parts

Grinding chamber equipped with lock for first double bevel, containment discs and rings, discharge screen in antiwear execution  
Swinging roller bearings on pressure compass mounted to the grinding chamber, supports in cast iron  
Safety devices and circuit in compliance with EEC Directives

# SERIE