



Shredder Models:

**HF-5340LR XD**  
**HF-6850LR**  
**HF-7860LR**

Common Applications:

Plastic Recycling  
Plastic Purgings  
Plastic Reclaim

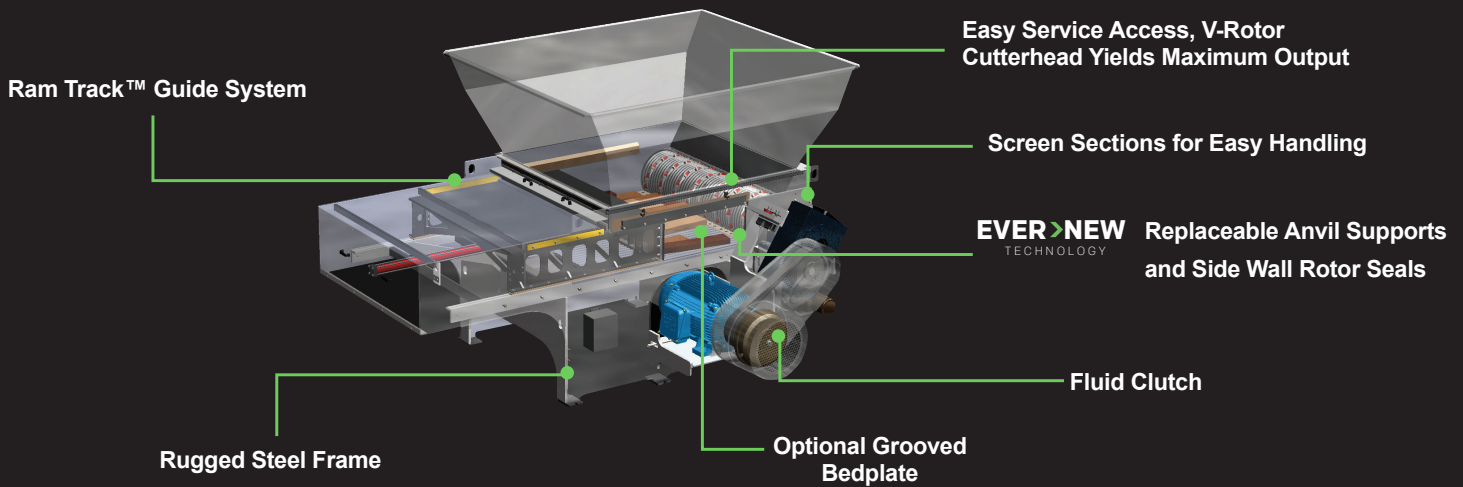


# HARDWORKING AMERICAN-MADE MACHINERY

**EVER > NEW**  
TECHNOLOGY

Cresswood's exclusive Ever New Technology allows for replacement of all key wear items to bring your machine back to like-new standards.

The rugged, extreme duty HF-5340LR XD, HF-6850LR, and HF-7860LR make up the family of "Dump and Go" Cresswood Destroyer shredders that are a plastic recycler's best friend. In the toughest plastic applications, this class of machines thrives. These machines can size-reduce heavy purge, thick walled pipe, barrels, mixed plastics, and can get your valuable product back into your production process or processed for recycling.



Specifications	HF-5340LRXD	HF-6850LR	HF-7860LR
Motor HP	40, 50, 60	50, 60, 75, 100, 125	75, 100, 125, 150
Cutting Chamber	40" x 53"	50" x 66"	60" x 77"
Ram Stroke	36"	50"	60"
Rotor Diameter	16"	16"	16"
Grinding Head Speed	50-150 rpm	50-150 rpm	50-150 rpm
Frame Thickness	3/4"	3/4"	3/4"
Number of Cutter Teeth	56	70	84
Shaft Diameter	4"	4"	4.5"
Midrange Hopper Volume	2.5 Cubic Yards	3.5 Cubic Yards	5.6 Cubic Yards
Floor Area of Unit	89" x 125"	97" x 148"	100" x 150"
Shipping Weight	10,000 lbs.	13,500 lbs.	17,500 lbs.

\* Specifications are subject to change

\*\* The output of these machines can be optimized for your application by selecting different screens, amount of cutter teeth, cutter teeth placement, and rotor selection.

