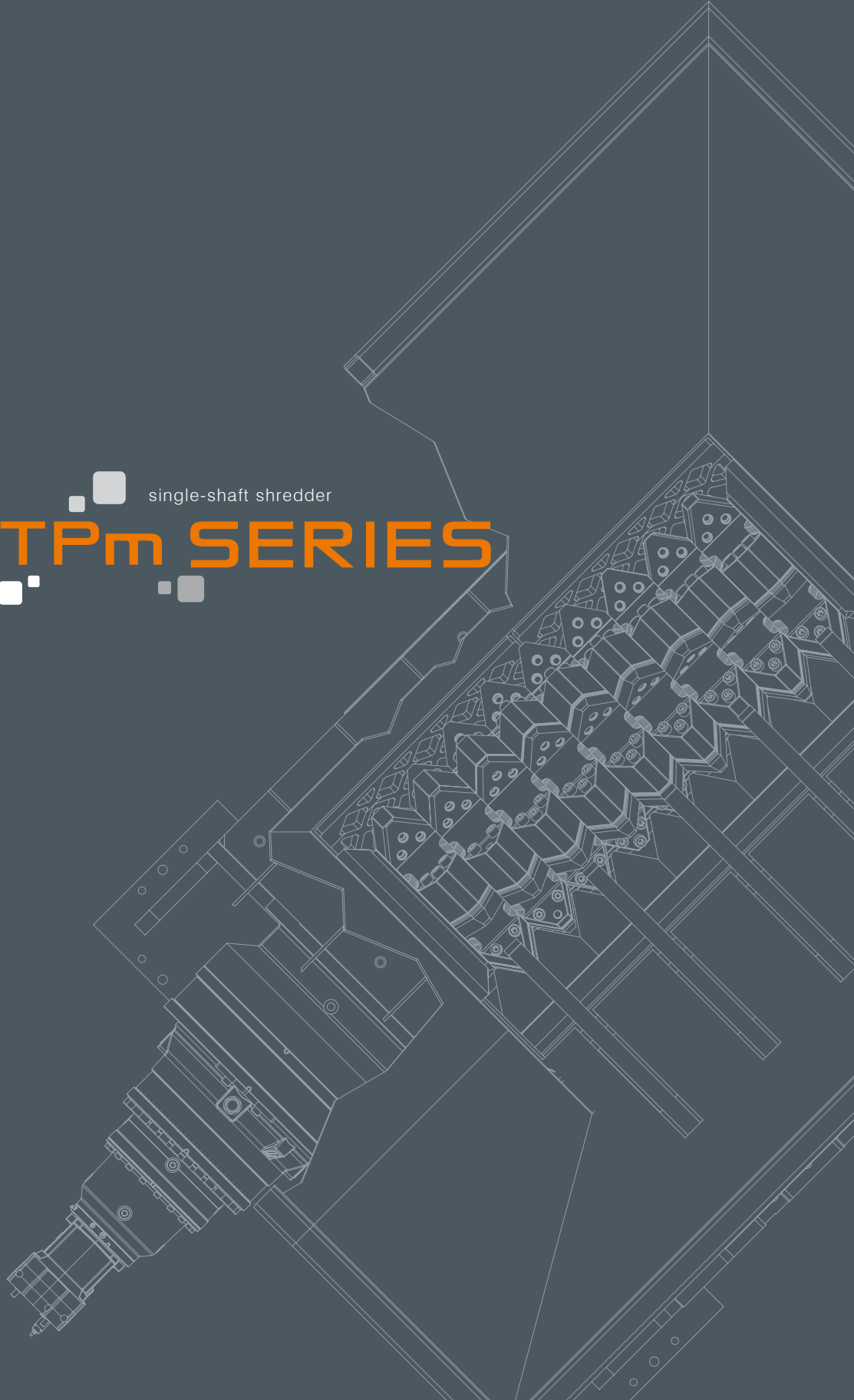




Single - shaft shredder

single-shaft shredder

TPm SERIES



Single-shaft Shredder

The single-shaft shredder of TPM Series is a perfect machine in the grinding sector. The trapezoidal blades and the speed of rotation guarantee an optimal performance in terms of energy consumption, production and maintenance.

The structure of the machine is made by very thick plates, in order to guarantee long lasting, robustness and reliability.

A presser guarantees the grinding of material with big dimensions, avoiding the clogging phenomenon. The motorization varies in function of the types of materials that have to be ground.

A screen is installed under the rotor. Differently from the other shredders on the market, thanks to this screen you can get a final homogenous ground product according to the dimensions of the screen chosen. The dimensions of the holes of the screen vary from a range of 40 to 400mm. The productivity varies in function of the dimensions of the holes of the screen: the hourly output increases as the size of the hole.

A PLC management allows the customer to modify certain operating parameters autonomously, or to follow a preset machining cycle.

*Low Speed
Adjusting Blades
Screen*



Advantages

- Optimal performance in terms of energy saving, maintenance and productivity
- Homogeneous dimensions of the ground product
- Robustness and reliability in the long term
- Possibility to change the working parameters autonomously or to follow the preset working cycles
- Teleassistance service

Teleassistance service

Molinari provides an assistance service via remote.

This is offered for free for the duration of the warranty and allows the manufacturer to remain in constant contact with the customer to provide the assistance software which the client may need (variation of parameters or just telephone support in the consultation of the alarms).



Adjustable traverse

The fixed and the rotary blades are mounted on an adjustable traverse in order to always have an optimal cutting quality.



Presser

The presser guarantees the grinding of light and heavy materials.



Trapezoidal blades

The speed of rotation and the blades guarantee an optimal performance in terms of energy saving, productivity and maintenance.



Hydraulic motor

Hydraulic motor with a hydraulic centraline connected to a gearbox.



Screen

Differently from the other shredders on the market, under the cutting rotors, it is installed a screen. The screen allows to obtain a ground product by size very homogeneous and defined, according to the size of the holes of the screen. The side of the square holes can range from 40 to 400mm. The hourly output increases as the size of the hole.

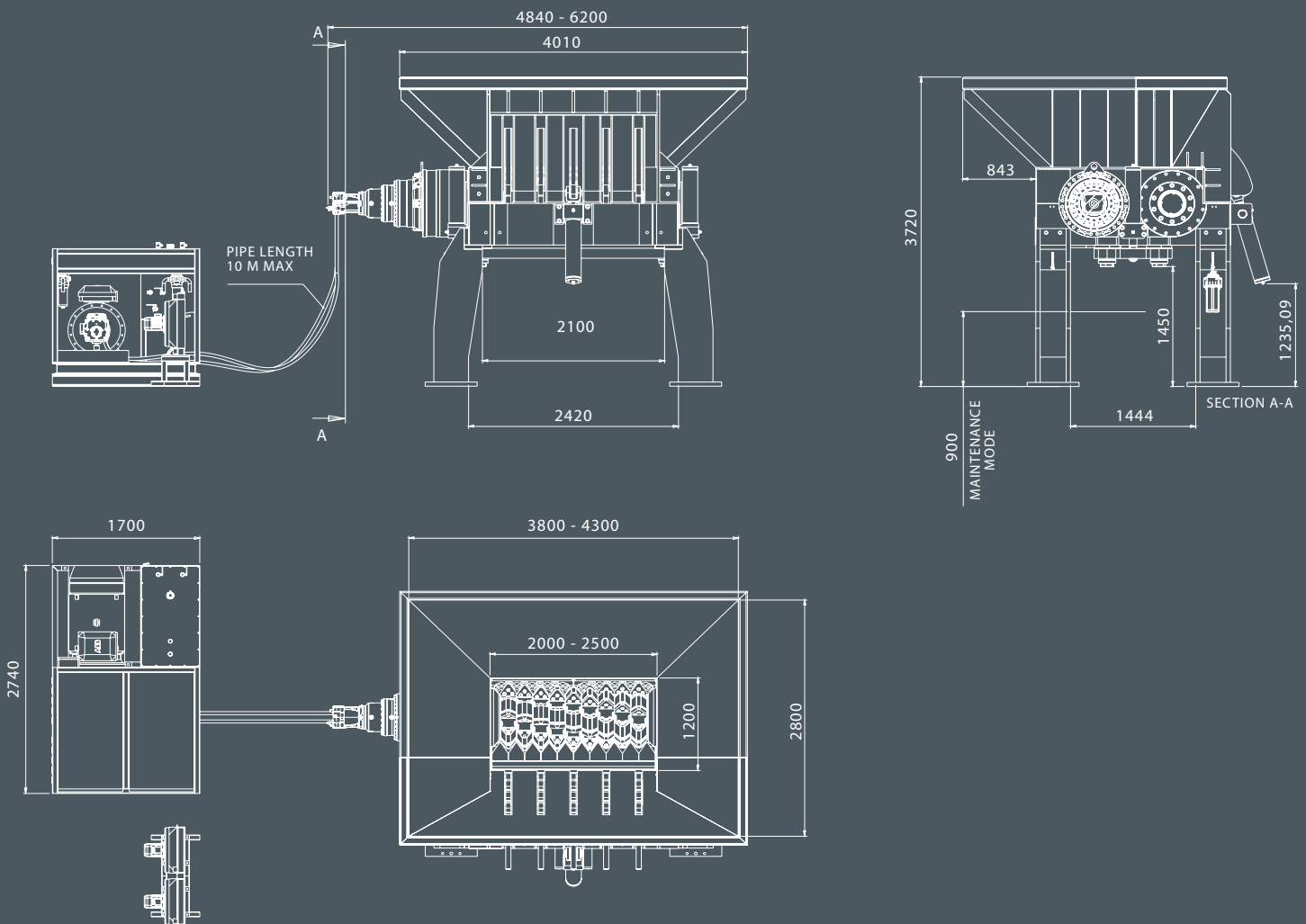


Structure

The structure of the machine is made by very thick plates, in order to guarantee long lasting robustness and reliability.

Technical Features

	TPm2000	TPm2500
Dimensions		
Dimensions	4.840 x 2.850 x 3.720 mm	6.200 x 2.850 x 3.720 mm
Loading hopper	2.800 x 3.800 mm	2.800 x 4.300 mm
Grinding chamber	2.000 x 1.200 mm	2.500 x 1.200 mm
Weight	30 ton	34 ton
Grinding chamber		
Rotor	n° 1, diameter 826 mm, length 2.000 mm	n° 1, diameter 826 mm, length 2.500 mm
Speed	0 - 30 tr/mn	0 - 30 tr/mn
Power	200kW	250-315kW
Gearbox	n° 1	n°1/2
Screen	holes from 40 to 400 mm	holes from 40 to 400 mm



Contacts

 Molinari S.r.l.
 via dell'Industria, 4
 24010 Lenna (Bergamo)
 ITALY

tel. +39.0345.31.78.01
 fax +39 0345.31.78.27
 info@molinari-recycling.com
 www.molinari-recycling.com

