



↓ Tested Technology
THE TECHNOLOGY THAT YOU NEED

EKOPRESMANUEL

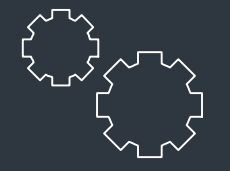
Manual Feeding
Horizontal Baler

SEMI AUTOMATIC MANUAL FEEDING HORIZONTAL PRESS BALER

- Nylon, paper and like this other waste materials bale weight up to 650Kg.
- Robust body structure for maximum compression.
- With Large and wide-mouthed loading chamber.
- Reduced Loading height



Flexible solutions for..
Low Capacity Baling Needs..



CUSTOMER SOLUTIONS

It's very important for us to response our customer the demand for cost-effective solution.



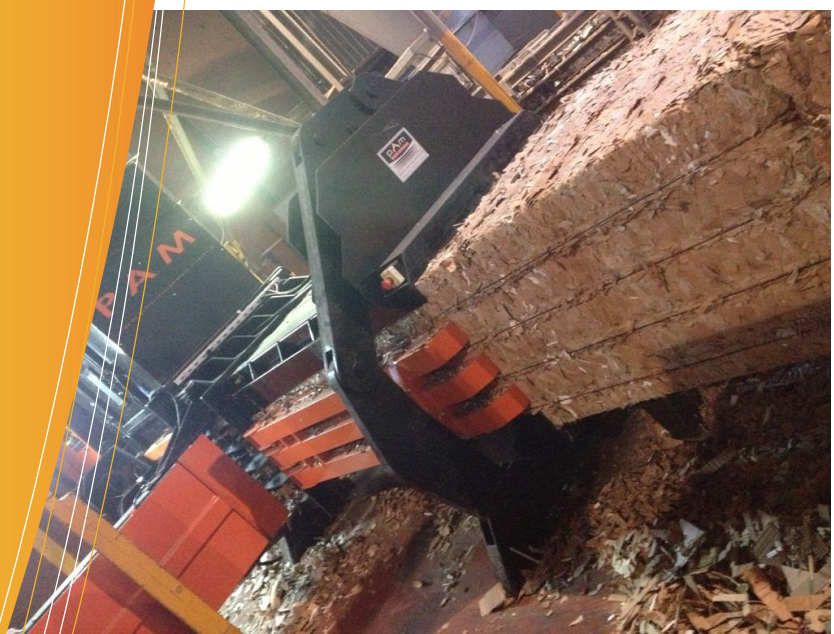
BUSINESS SOLUTIONS

Create functionality without departing from the solutions, the primary target to increase the efficiency of the workplace.

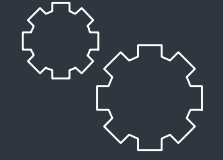


SPARE PARTS

Hydraulic, electric and other parts we use are from the best brands in the world so parts are available everywhere.



Highly efficient and reliable machine at competitive price



QUALITY

When we design machine we pay attention to safety, functionality, durability & aesthetics with the cost effective way.



SERVICE

The most important need for our customers is fast service. We response for our machine promptly within 24 hours.



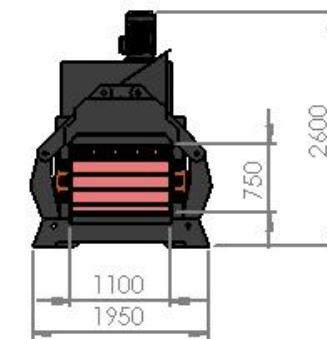
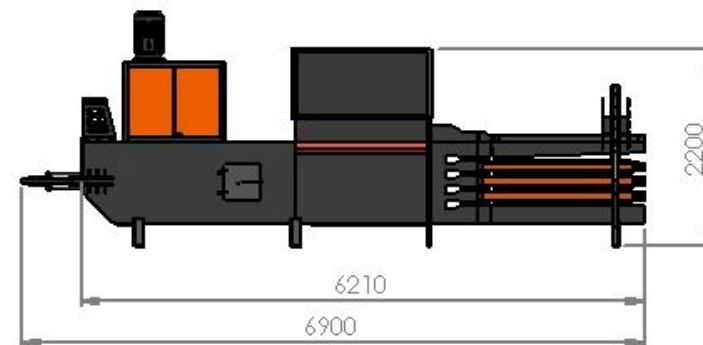
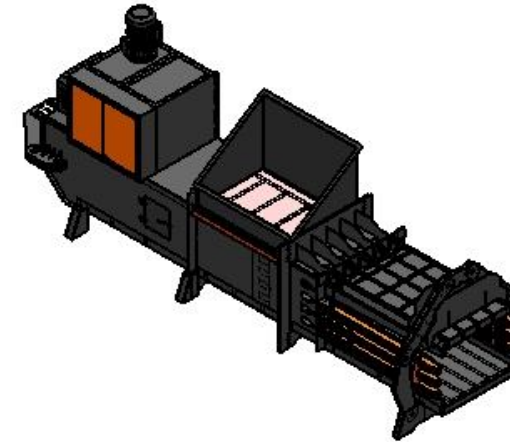
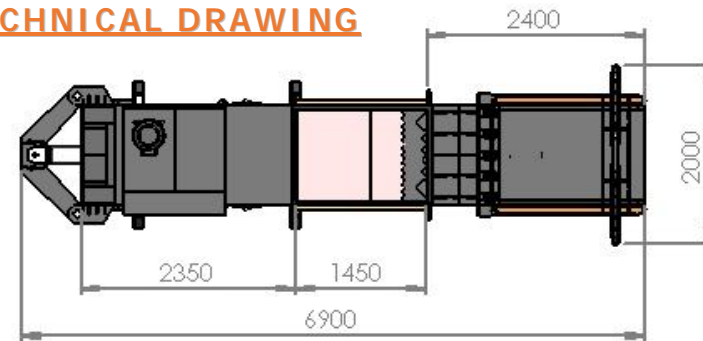
Low Cost High Efficiency

UPDATED TECHNOLOGY PROVIDES THE PRODUCTIVITY
INDUSTRIAL SOLUTIONS
LATEST TECHNOLOGY

TECHNICAL FEATURES

- BALE SIZE : 110 X 75 X 100-150 CM
- MOTOR POWER : 11 KW
- FEEDING HOPPER : 145 X 105 CM
- TOTAL FORCE : 60 TON
- CAPACITY : 1,5-2,5 TON / HOUR
- MANUAL OPERATION SYSTEM

TECHNICAL DRAWING



SOME APPLICATIONS

- PAPER CARDBOARD RECYCLING
- FIBER TEXTILE WASTE
- PET PLASTIC RECYCLING
- SOLID WASTE PLANTS

PLAN MAKINA SAN. VE TİC.LTD.ŞTİ.
SAZYOĞLU CAD.NO:8 YAZIBAŞI TORNALI İZMİR TÜRKİYE
T: +90(232)8539623 F: +90(232)8539626
info@planmakina.com.tr www.planmakina.com.tr