



# WASTE BALING PRESS

## Baler ARTechnic PBKe40

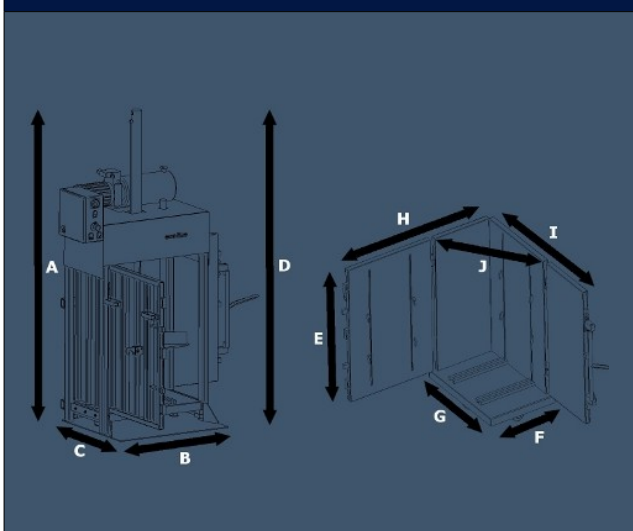


Baler PBKe40

### Technical specification

Number of chambers:	press with a mobile press chambers	Loading:	top
Charging hole:	600 x 400 mm	Bale tying:	manual
Max. pressure:	40kN (4 tons)	Bale launch:	manual
Unit pressure:	1,66 kg/cm <sup>2</sup>	Supply:	230/50 (optional 400/50) [V/Hz]
Bale dimensions:	600 x 400 x 600	Engine power:	1,5 kW
Bale weight:	app. 20 – 60 kg	Work cycle:	ca. 26 seconds
Productivity:	app. 3 – 4 bale/h	Weight:	400 kg

### Dimension



LEGEND		[mm]
A	height	2040
B	width	950
C	depth	700
D	transport height	2040
PRESS CHAMBER		
E	door height	1100
F	depth	570
G	width	670
H	depth with open door - left	1100
I	depth with open door - right	1170
J	filling inlet	600x400

ecoline series 600

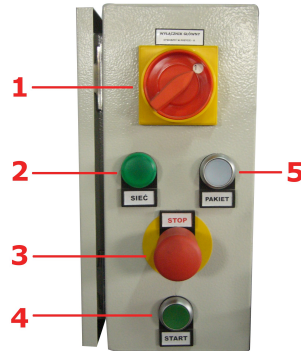
## Available steering types

### Steering p (PLUS)

#### Features

- Controller PLC
- Automatic digital steering of the work cycle
- Finished-bale signal

#### Control Panel



1. Main switch
2. A green light indicates a connection of the bale to power and that the main switch is turned ON
3. Emergency "STOP" switch
4. Button "START" starts the pressing process
5. The white light "PACKET" indicates that the press has achieved the maximum filling

## Gallery



## Contact

### Headquarter

ARTechnic  
ul. Gen. St. Maczka 9  
43-300 Bielsko-Biała  
Poland

### Phones

Tel. +48 (33) 816 01 69  
fax +48 (33) 443 20 46

### E-mail and Web Site

biuro@artehnic.pl  
[www.artehnic.pl](http://www.artehnic.pl)  
[www.belowniceuzywane.pl](http://www.belowniceuzywane.pl)