

**NP100-II** is a high capacity baler, easy to operate. The unique quiet screw drive provides a powerful compaction with heavy bale weight. The generous infeed is ideal for larger boxes and handles large volumes every time.

Customizable technical solutions:

**Plug'n Press** - the modern control system surveys starting-up and operation.

**Stay'n hold** - the press ram stops in compaction mode (with full press power), giving more compact bales. Suitable for material that raise up. During 'Stay'n hold' no electricity is needed.

**Autostart** - the baler starts compacting automatically when the feed door is closed.

- ▶ Compacts most material: paper, cardboard, soft and hard plastic etc.
- ▶ High compaction pressure and generous feed opening on a minimum of floor space
- ▶ Convenient feed height
- ▶ Total height only 2,07 m!
- ▶ Very reliable, proven long-lasting performance, even out-doors
- ▶ Silent running electromechanical baler
- ▶ No hydraulic oil



*Efficient feeding of material thanks to the feed door that pushes the material into the chamber at closing.  
NP100-II can be easily relocated by a pallet truck and placed near the source of material. A flexible and sustainable solution good for both environment and economy.*

## Distinctness



*The control system gives a distinct indication of operating status.*

## Efficiency



*All operation from the front, as feeding of material and bale ejection. The feed door can be opened 90° or, as in the photo, all the way down 180°.*

*The four bale strapping rolls are placed under the red top cover and can be replaced separately.*

## Capacity



*NP100-II compacts effectively a great volume of material thanks to the generous press chamber.*

*Eight moveable scrapers keep the material compacted without tearing grooves.*

## Volume reduction

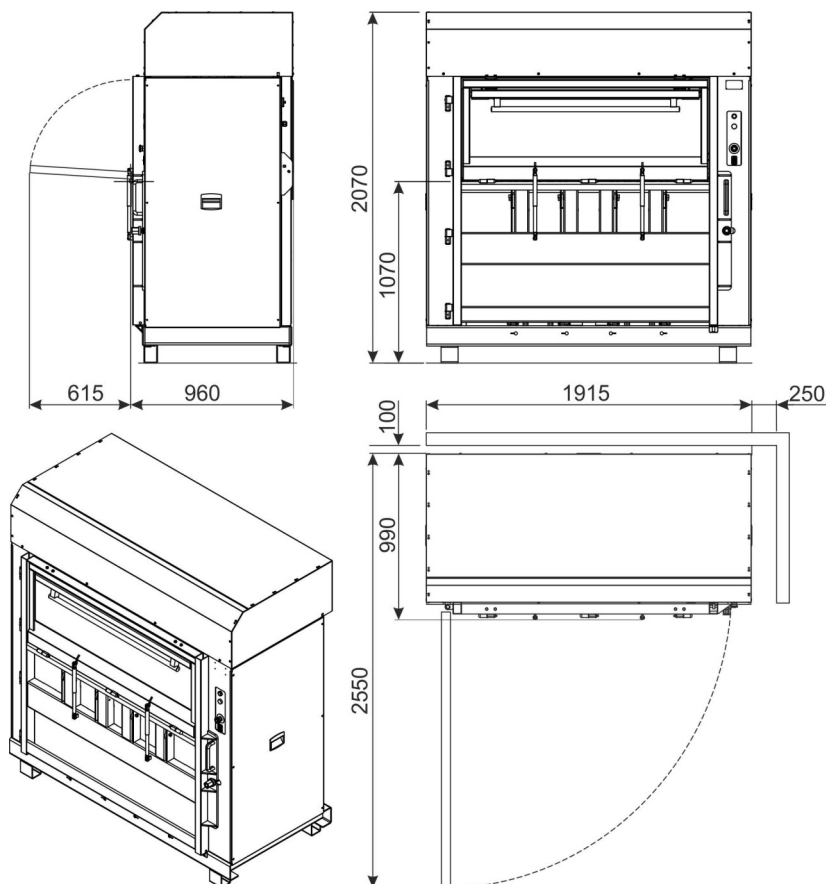


*The bale is tied with four straps and easily removed by the safe built-in 2-hand manoeuvred ejection system.*

*The volume is reduced by up to 95%!*

# NP100-II

## the heavy-duty baler



By a pallet truck the machine can be moved from side or front - rationally for placement and simplifies cleaning.



Since the mid-sixties more than 15,000 balers have been delivered all over the world.



Components from global world class suppliers ensure quality and availability.



Our continuous development in close co-operation with users world wide gives us a unique knowledge of compacting and recycling.

The result is an outstanding range of products representing good design with excellent performance.

All compactors from NVA carry the CE-mark.

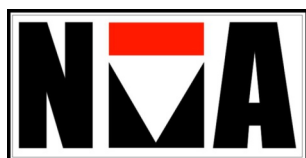


Model	Pressure kN	Weight kg	Feed opening mm	Bale size mm			Bale weight kg	dB(A)
				Length	Width	Height		
NP100-II	250	1212	1500 x 550	1500	800	800-900	350 - 550	60

Voltage: 3-phase 400 V, 50 Hz in standard version. Other voltages available.

NP100-II is one of the balers in our range - please contact us for more information of other products!

We reserve the right to introduce technical alterations.



**NÄTTRABY VERKTYGS AB**  
 Angelskogsvägen 8, SE - 372 38 RONNEBY  
 Tel. +46 457 19220  
 www.nva.se - info@nva.se  
 SWEDEN

