

EASYQUIP

IT CAN BE DONE



Waste Handling Equipment 2016



Designing, developing and manufacturing a wide range of waste bins and related products for over 20 years

1300 797 543

EASYQUIP.NET.AU



EASYQUIP, INNOVATORS IN THE WASTE BIN INDUSTRY FOR OVER 20 YEARS.

Since 1993, easyquip have been designing, developing and manufacturing a wide range of waste bins and related products.

We as a company are passionate about developing new, innovative ways of managing waste for our customers, and pride ourselves on our ability to provide solutions.

Easyquip maintains the highest of quality standards, making us a trusted waste and recycling management partner.

Easyquip is an Australian owned company, with locally designed and manufactured products. It **can** be done with easyquip!



PRODUCTS:

- | | | | |
|----|--|----|--------------------------------|
| 2 | PREMIUM FRONT LIFT BINS | 26 | FORK LIFT BINS |
| 5 | GP FRONT LIFT BINS | 27 | CRANE BINS |
| 8 | PLASTIC FRONT LIFT BINS | 28 | DROP BOTTOM BINS |
| 10 | EASYLID FOR FRONT LIFT BINS | 29 | ROLL OVER TIPLER BINS |
| 11 | TWIN LIDS FOR FRONT LIFT BINS | 30 | DRAW BACK TIPLER BINS |
| 12 | SIDE HINGED EASYLIDS FOR FRONT LIFT BINS | 31 | FRONT LIFT CRADLE FOR MGB BINS |
| 13 | AUTOLOCK FOR FRONT LIFT BINS | 32 | DUMPING HOPPER BINS |
| 14 | FRONT LIFT PARTS | 33 | STEEL MGB BINS |
| 15 | BIN ROTATOR | 34 | CUSTOM BINS & STILLAGES |
| 16 | HOOK LIFT BINS | 35 | VERTICAL BALERS |
| 18 | CRANE CERTIFIED HOOK LIFT BINS | 36 | MULTI CHAMBER BALERS |
| 19 | HOOK LIFT TRAYS | 37 | HORIZONTAL BALERS |
| 20 | COMPACTOR RECEIVERS | 38 | PORTABLE PENDULUM COMPACTORS |
| 21 | ROLLING HOOK LIFT LIDS | 39 | PORTABLE BLADE COMPACTORS |
| 22 | HYDRAULIC HOOK LIFT LIDS | 40 | PORTABLE SCREW COMPACTORS |
| 23 | ROLL OVER TARPS | 41 | STATIONARY BLADE COMPACTORS |
| 24 | HOOK LIFT WITH EASYLIDS | 42 | STATIONARY SCREW COMPACTORS |
| 25 | MARELL BINS / SKIP BINS | 43 | WOODWASTE COMPACTORS |
| | | 44 | COLD PRESS EPS COMPACTORS |



FOR FREE QUOTE CALL OR VISIT

1300 797 543

EASYQUIP.NET.AU

Designing, developing and manufacturing a wide range of waste bins and related products for over 20 years.

The Premium Front lift bin is one of our core products available to the Waste Industry for more than 20 years. This proven Front lift bin design meets industry standards and features fully welded internal seams and lift pocket reinforcing panels.

All Easyquip Front lift bins are available with a solid steel front panel or the optional mesh front panel for recyclables.

As standard our front lift bins are fitted with the single piece Easylid which is designed to reduce operational costs and improve user safety, or the optional Easyquip twin lids.

Features

- > Meets Industry Standards.
- > Full internal welding.
- > Durable proven design.
- > No sharp edges.
- > Consistent quality and attention to detail.

Specifications

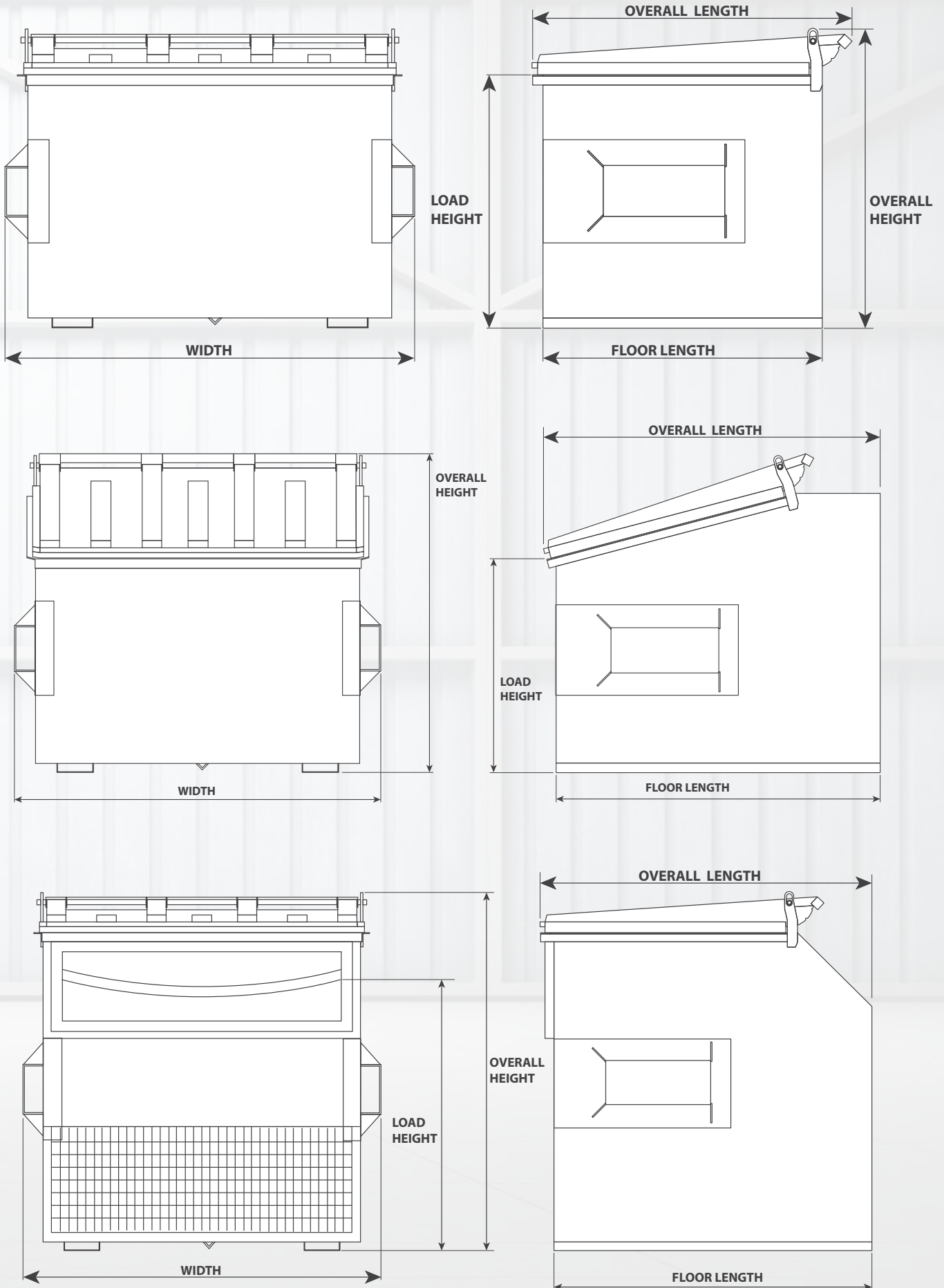
- > Floor, walls and ends 3mm Steel.
- > Lift pockets 5mm steel.
- > Wheel channels 5mm Mild steel.
- > Side reinforcing panel 3mm mild steel (bins 3.0m³ and larger).
- > All external and internal seams fully welded.
- > Side reinforcing 50x50x5 angle.
- > Floor reinforcing 50x50x5 angle.
- > Front reinforcing 50x50x3 RHS.
- > Lock chain or lug.
- > Handles to allow easy movement on castors.
- > Truck Hooks to allow movement of bin with truck.
- > Crane lugs for transportation and unloading.
- > Drain Socket and plug (Solid front bins).
- > 2 x 20mm drain holes in floor (Mesh front bins).
- > Mesh front panel 50mm x 50mm opening with 4mm wire. (Mesh front bins).
- > Primed and painted in Industrial Enamel.
- > Easylid single piece lid.

Options

- > Forklift pockets under floor.
- > Sealed floor (No drain socket).
- > Easyquip Twin lids.
- > Castors.
- > Hot Dip Galvanizing.
- > Autolock gravity bin lock.



Premium Front lift bins



Premium Front lift bins

Item Code	Description	Weight	Width	Floor Length	Overall Length	Load Height	Overall Height
FLP15BEL	1.5m ³ Premium Front lift bin, Box with Easylid	265kg	2020mm	900mm	1120mm	970mm	1190mm
FLP15BTL	1.5m ³ Premium Front lift bin, Box with Twin lids	235kg	2020mm	900mm	1050mm	970mm	1090mm
FLP15TEL	1.5m ³ Premium Front lift bin, Tapered with Easylid	265kg	2020mm	850mm	1120mm	970mm	1190mm
FLP15TTL	1.5m ³ Premium Front lift bin, Tapered with Twin lids	235kg	2020mm	850mm	1050mm	970mm	1090mm
FLP30BEL	3.0m ³ Premium Front lift bin, Box with Easylid	425kg	2020mm	1380mm	1660mm	1270mm	1570mm
FLP30BTL	3.0m ³ Premium Front lift bin, Box with Twin lids	380kg	2020mm	1380mm	1510mm	1270mm	1390mm
FLP30TEL	3.0m ³ Premium Front lift bin, Tapered with Easylid	425kg	2020mm	1330mm	1660mm	1270mm	1570mm
FLP30TTL	3.0m ³ Premium Front lift bin, Tapered with Twin lids	380kg	2020mm	1330mm	1510mm	1270mm	1390mm
FLP30SEL	3.0m ³ Premium Front lift bin, Slope with Easylid	425kg	2020mm	1430mm	1510mm	970mm	1825mm
FLP30STL	3.0m ³ Premium Front lift bin, Slope with Twin lids	380kg	2020mm	1430mm	1510mm	970mm	1700mm
FLP45BEL	4.5m ³ Premium Front lift bin, Box with Easylid	520kg	2020mm	1800mm	1880mm	1470mm	1750mm
FLP45BTL	4.5m ³ Premium Front lift bin, Box with Twin lids	475kg	2020mm	1800mm	1880mm	1470mm	1590mm
FLP45SEL	4.5m ³ Premium Front lift bin, Slope with Easylid	520kg	2020mm	1800mm	1910mm	1270mm	1900mm
FLP45STL	4.5m ³ Premium Front lift bin, Slope with Twin lids	475kg	2020mm	1800mm	1910mm	1270mm	1780mm
FLP45REL	4.5m ³ Premium Front lift bin, Rubber Slot with Easylid	500kg	2020mm	1800mm	1660mm	1500mm	2150mm
FLP45RTL	4.5m ³ Premium Front lift bin, Rubber Slot with Twin lids	455kg	2020mm	1800mm	1510mm	1500mm	1980mm
FLP60REL	6.0m ³ Premium Front lift bin, Rubber Slot with Easylid	570kg	2020mm	1800mm	1870mm	1500mm	2150mm
FLP60RTL	6.0m ³ Premium Front lift bin, Rubber Slot with Twin lids	515kg	2020mm	1800mm	1870mm	1500mm	1980mm
FLMP15BEL	1.5m ³ Premium Front lift bin, Mesh front, Box with Easylid	265kg	2020mm	900mm	1120mm	970mm	1190mm
FLMP15BTL	1.5m ³ Premium Front lift bin, Mesh front, Box with Twin lids	235kg	2020mm	900mm	1050mm	970mm	1090mm
FLMP15TEL	1.5m ³ Premium Front lift bin, Mesh front, Tapered with Easylid	265kg	2020mm	850mm	1120mm	970mm	1190mm
FLMP15TTL	1.5m ³ Premium Front lift bin, Mesh front, Tapered with Twin lids	235kg	2020mm	850mm	1050mm	970mm	1090mm
FLMP30BEL	3.0m ³ Premium Front lift bin, Mesh front, Box with Easylid	400kg	2020mm	1380mm	1660mm	1270mm	1570mm
FLMP30BTL	3.0m ³ Premium Front lift bin, Mesh front, Box with Twin lids	355kg	2020mm	1380mm	1510mm	1270mm	1390mm
FLMP30TEL	3.0m ³ Premium Front lift bin, Mesh front, Tapered with Easylid	400kg	2020mm	1330mm	1660mm	1270mm	1570mm
FLMP30TTL	3.0m ³ Premium Front lift bin, Mesh front, Tapered with Twin lids	355kg	2020mm	1330mm	1510mm	1270mm	1390mm
FLMP30SEL	3.0m ³ Premium Front lift bin, Mesh front, Slope with Easylid	400kg	2020mm	1430mm	1510mm	970mm	1825mm
FLMP30STL	3.0m ³ Premium Front lift bin, Mesh front, Slope with Twin lids	355kg	2020mm	1430mm	1510mm	970mm	1700mm
FLMP45BEL	4.5m ³ Premium Front lift bin, Mesh front, Box with Easylid	490kg	2020mm	1800mm	1880mm	1470mm	1750mm
FLMP45BTL	4.5m ³ Premium Front lift bin, Mesh front, Box with Twin lids	445kg	2020mm	1800mm	1880mm	1470mm	1590mm
FLMP45SEL	4.5m ³ Premium Front lift bin, Mesh front, Slope with Easylid	490kg	2020mm	1800mm	1910mm	1270mm	1900mm
FLMP45STL	4.5m ³ Premium Front lift bin, Mesh front, Slope with Easylid	445kg	2020mm	1800mm	1910mm	1270mm	1780mm
FLMP45REL	4.5m ³ Premium Front lift bin, Mesh front, Rubber Slot with Easylid	460kg	2020mm	1800mm	1660mm	1500mm	2150mm
FLMP45RTL	4.5m ³ Premium Front lift bin, Mesh front, Rubber Slot with Twin lids	415kg	2020mm	1800mm	1510mm	1500mm	1980mm
FLMP60REL	6.0m ³ Premium Front lift bin, Mesh front, Rubber Slot with Easylid	540kg	2020mm	1800mm	1870mm	1500mm	2150mm
FLMP60RTL	6.0m ³ Premium Front lift bin, Mesh front, Rubber Slot with Twin lids	495kg	2020mm	1800mm	1870mm	1500mm	1980mm

Please note that dimensions are nominal and some variation may occur.



The GP Front lift bin has been developed as a more economical alternative to our Premium Specification bins. These bins are built to the same high standard as the Premium bins but do not include all the features.

These bins are available with a solid steel front panel or the optional mesh front panel for recyclables.

As a standard our front lift bins are fitted with the single piece Easylid which is designed to reduce operational costs and improve user safety, or the optional Easyquip twin lids.

Features

- > Competitively priced.
- > No sharp edges or corners.
- > Consistent quality and attention to detail.

Specifications

- > 3mm steel floor, walls and ends .
- > 5mm steel Lift pockets and Wheel channels.
- > All external seams fully welded.
- > Side reinforcing 50x50x5 angle.
- > Floor reinforcing 50x50x5 angle.
- > Front reinforcing 50x50x3 RHS.
- > Lock chain or lug.
- > Handles to allow easy movement for castors.
- > Truck Hooks to allow movement of bin with truck.
- > Crane lugs for transportation and unloading.
- > Drain Socket and plug (Solid front bins).
- > 2 x 20mm drain holes in floor (Mesh front bins).
- > Mesh front panel 50mm x 50mm opening with 4mm wire (Mesh front bins).
- > Easylid single piece lid.
- > Primed and painted in Industrial Enamel.

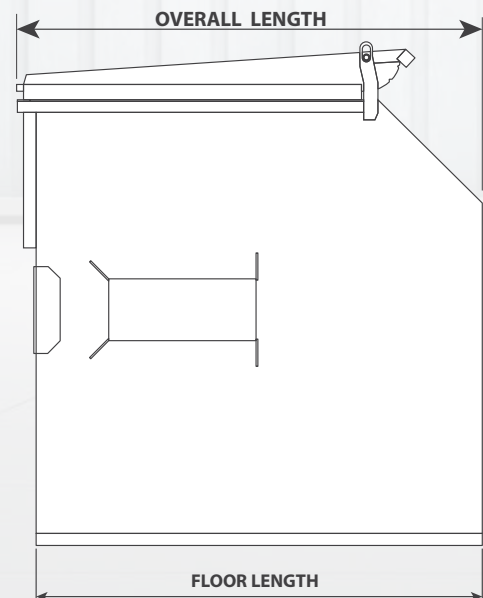
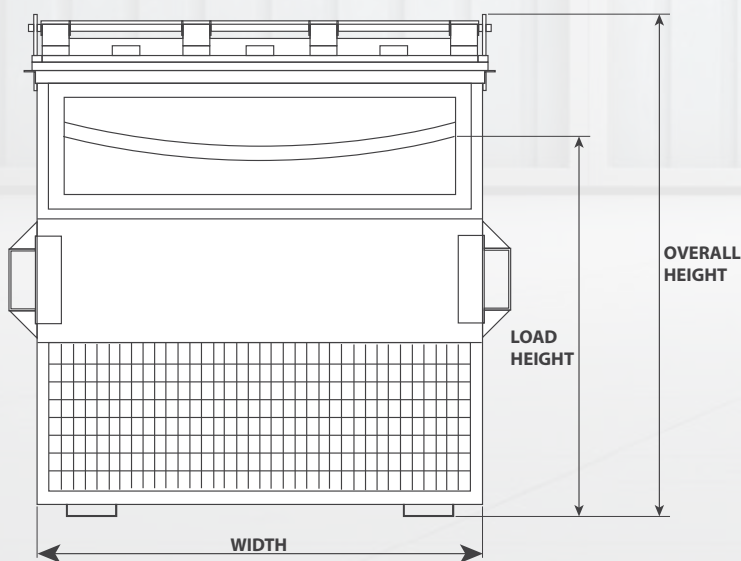
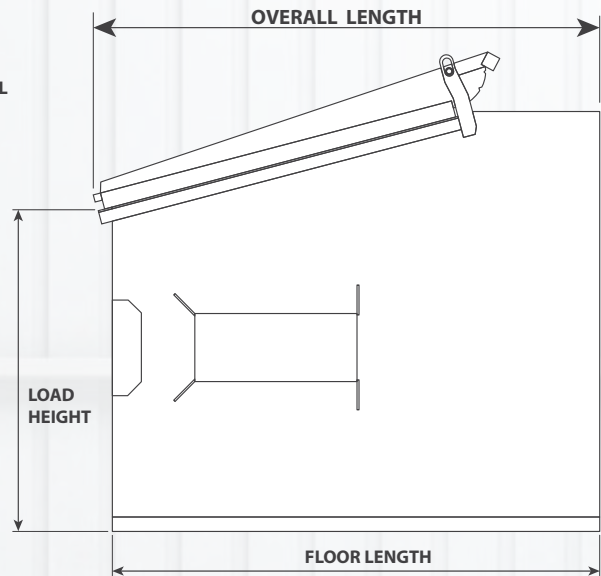
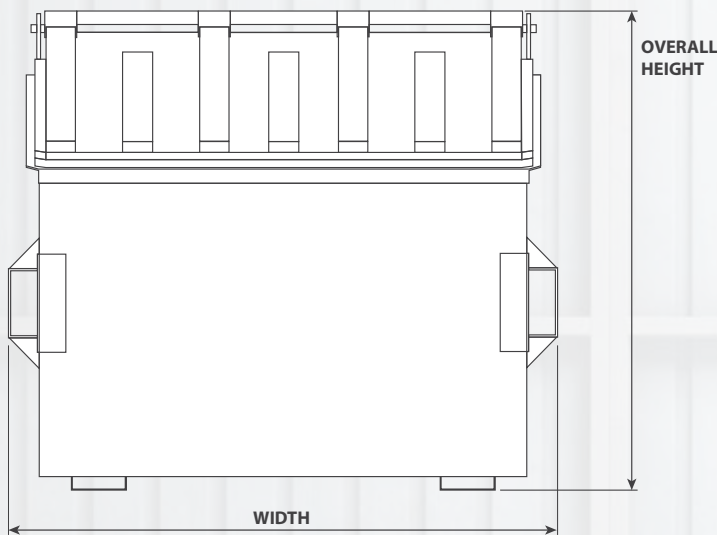
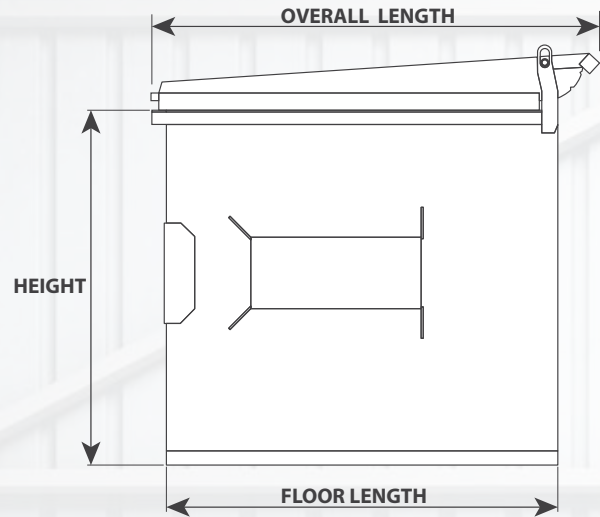
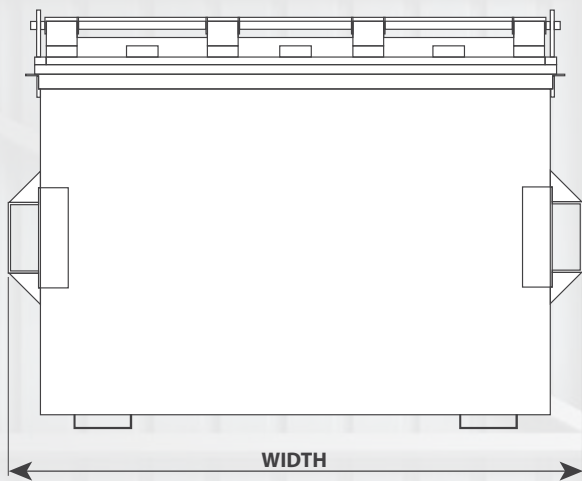


Options

- > Forklift pockets under floor.
- > Sealed floor (No drain socket).
- > Easyquip Twin lids.
- > Castors.
- > Autolock gravity bin lock.
- > Hot Dip Galvanizing.



GP Front lift bins



GP Front lift bins

Item Code	Description	Weight	Width	Floor Length	Overall Length	Load Height	Overall Height
FLGP15BEL	1.5m ³ GP Front lift bin, Box with Easylid	265kg	2020mm	900mm	1120mm	970mm	1190mm
FLGP15BTL	1.5m ³ GP Front lift bin, Box with Twin lids	235kg	2020mm	900mm	1050mm	970mm	1090mm
FLGP15TEL	1.5m ³ GP Front lift bin, Tapered with Easylid	265kg	2020mm	850mm	1120mm	970mm	1190mm
FLGP15TTL	1.5m ³ GP Front lift bin, Tapered with Twin lids	235kg	2020mm	850mm	1050mm	970mm	1090mm
FLGP30BEL	3.0m ³ GP Front lift bin, Box with Easylid	400kg	2020mm	1380mm	1660mm	1270mm	1570mm
FLGP30BTL	3.0m ³ GP Front lift bin, Box with Twin lids	355kg	2020mm	1380mm	1510mm	1270mm	1390mm
FLGP30TEL	3.0m ³ GP Front lift bin, Tapered with Easylid	400kg	2020mm	1330mm	1660mm	1270mm	1570mm
FLGP30TTL	3.hhh GP Front lift bin, Tapered with Twin lids	355kg	2020mm	1330mm	1510mm	1270mm	1390mm
FLGP30SEL	3.0m ³ GP Front lift bin, Slope with Easylid	400kg	2020mm	1430mm	1510mm	970mm	1825mm
FLGP30STL	3.0m ³ GP Front lift bin, Slope with Twin lids	355kg	2020mm	1430mm	1510mm	970mm	1700mm
FLGP45BEL	4.5m ³ GP Front lift bin, Box with Easylid	495kg	2020mm	1800mm	1880mm	1470mm	1750mm
FLGP45BTL	4.5m ³ GP Front lift bin, Box with Twin lids	450kg	2020mm	1800mm	1880mm	1470mm	1590mm
FLGP45SEL	4.5m ³ GP Front lift bin, Slope with Easylid	495kg	2020mm	1800mm	1910mm	1270mm	1900mm
FLGP45STL	4.5m ³ GP Front lift bin, Slope with Twin lids	450kg	2020mm	1800mm	1910mm	1270mm	1780mm
FLGP45REL	4.5m ³ GP Front lift bin, Rubber Slot with Easylid	475kg	2020mm	1800mm	1660mm	1500mm	2150mm
FLGP45RTL	4.5m ³ GP Front lift bin, Rubber Slot with Twin lids	430kg	2020mm	1800mm	1510mm	1500mm	1980mm
FLGP60REL	6.0m ³ GP Front lift bin, Rubber Slot with Easylid	545kg	2020mm	1800mm	1870mm	1500mm	2150mm
FLGP60RTL	6.0m ³ GP Front lift bin, Rubber Slot with Twin lids	505kg	2020mm	1800mm	1870mm	1500mm	1980mm
FLMGP15BEL	1.5m ³ GP Front lift bin, Mesh front, Box with Easylid	265kg	2020mm	900mm	1120mm	970mm	1190mm
FLMGP15BTL	1.5m ³ GP Front lift bin, Mesh front, Box with Twin lids	235kg	2020mm	900mm	1050mm	970mm	1090mm
FLMGP15TEL	1.5m ³ GP Front lift bin, Mesh front, Tapered with Easylid	265kg	2020mm	850mm	1120mm	970mm	1190mm
FLMGP15TTL	1.5m ³ GP Front lift bin, Mesh front, Tapered with Twin lids	235kg	2020mm	850mm	1050mm	970mm	1090mm
FLMGP30BEL	3.0m ³ GP Front lift bin, Mesh front, Box with Easylid	375kg	2020mm	1380mm	1660mm	1270mm	1570mm
FLMGP30BTL	3.0m ³ GP Front lift bin, Mesh front, Box with Twin lids	330kg	2020mm	1380mm	1510mm	1270mm	1390mm
FLMGP30TEL	3.0m ³ GP Front lift bin, Mesh front, Tapered with Easylid	375kg	2020mm	1330mm	1660mm	1270mm	1570mm
FLMGP30TTL	3.0m ³ GP Front lift bin, Mesh front, Tapered with Twin lids	330kg	2020mm	1330mm	1510mm	1270mm	1390mm
FLMGP30SEL	3.0m ³ GP Front lift bin, Mesh front, Slope with Easylid	75kg	2020mm	1430mm	1510mm	970mm	1825mm
FLMGP30STL	3.0m ³ GP Front lift bin, Mesh front, Slope with Twin lids	330kg	2020mm	1430mm	1510mm	970mm	1700mm
FLMGP45BEL	4.5m ³ GP Front lift bin, Mesh front, Box with Easylid	465kg	2020mm	1800mm	1880mm	1470mm	1750mm
FLMGP45BTL	4.5m ³ GP Front lift bin, Mesh front, Box with Twin lids	420kg	2020mm	1800mm	1880mm	1470mm	1590mm
FLMGP45SEL	4.5m ³ GP Front lift bin, Mesh front, Slope with Easylid	465kg	2020mm	1800mm	1910mm	1270mm	1900mm
FLMGP45STL	4.5m ³ GP Front lift bin, Mesh front, Slope with Easylid	420kg	2020mm	1800mm	1910mm	1270mm	1780mm
FLMGP45REL	4.5m ³ GP Front lift bin, Mesh front, Rubber Slot with Easylid	435kg	2020mm	1800mm	1660mm	1500mm	2150mm
FLMGP45RTL	4.5m ³ GP Front lift bin, Mesh front, Rubber Slot with Twin lids	390kg	2020mm	1800mm	1510mm	1500mm	1980mm
FLMGP60REL	6.0m ³ GP Front lift bin, Mesh front, Rubber Slot with Easylid	515kg	2020mm	1800mm	1870mm	1500mm	2150mm
FLMGP60RTL	6.0m ³ GP Front lift bin, Mesh front, Rubber Slot with Twin lids	470kg	2020mm	1800mm	1870mm	1500mm	1980mm

Please note that dimensions are nominal and some variation may occur.



The Easybin is a fully moulded plastic front lift bin with many advantages to offer over steel bins; light, quiet and easy to clean they will never rust or need repainting. The Easybin is available in 1.5m and 3.0m sizes and in a wide range of standard colours. We can also provide non-standard colours or a colour matching service. Minimum order quantities may apply to any non-standard colours.

Features

- > 30% Lighter than a steel bin.
- > Virtually silent when emptying.
- > Easy to clean.
- > No corrosion.
- > Reduced maintenance.
- > Reduced OH&S risk.
- > Waste empties easier.

Specifications

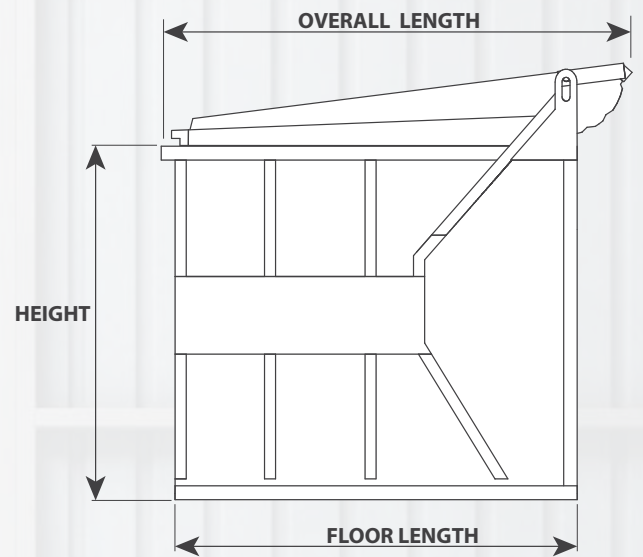
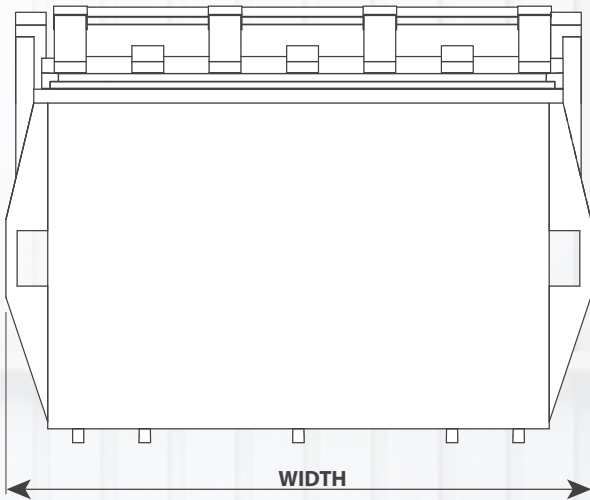
- > Body Skin - LLDPE plastic.
- > Body Core - LLDPE plastic foamed.
- > Castors Channel - 5mm Steel Galvanized.
- > Suits standard Waste bin castors.
- > Hinge tube - Galvanized Steel.
- > Handle - Galvanized steel.
- > Easylid Counterbalanced lid.

Options

- > Drain Socket and plug.
- > Full colour moulded plastic graphics.
- > Custom colour matching (Minimum Quantities apply).
- > Castors.
- > Autolock gravity bin lock.

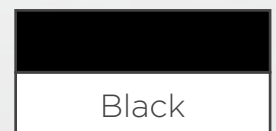
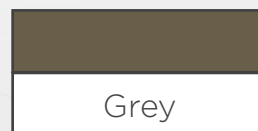
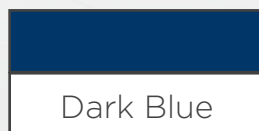
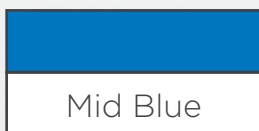
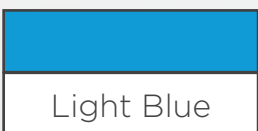
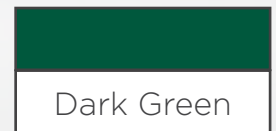
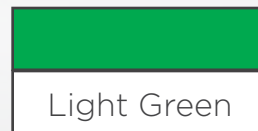


Plastic Front lift bins



Item Code	Description	Width	Floor Length	Overall Length	Load Height	Overall Height	Weight (kg)
PFL15	1.5m ³ Plastic Front lift bin	2080mm	960mm	1120mm	1100mm	1300mm	185kg
PFL30	3.0m ³ Plastic Front lift bin	2080mm	1420mm	1650mm	1280mm	1580mm	280kg

Please note that these dimensions are nominal and some variation may occur.



Easy lids for Front lift bins

Nearly 20 years ago we realized that Waste companies throughout Australia were spending excessive amounts of money replacing broken plastic lids, paying higher tip fees due to rainwater in the waste, repairing pre-maturely rusted our bins and most important of all users were being exposed daily to significant OH&S risks.

Easyquip developed the Easylid, the only single piece, counter-weighted plastic lid for front lift bins as the solution to reduce maintenance, tipping costs and address the OH&S risks.

Features

- > Reduced maintenance costs.
- > Reduced disposal costs.
- > Extended bin life.
- > Reduced OH&S risks.
- > Reduced odour.
- > Reduced vermin entry.



Specifications

- > Lid - Rotationally moulded LLDPE plastic.
- > Counterweight - Galvanized steel.
- > Hinge tube - Galvanized Steel.
- > Hinges - Laser cut steel.
- > M10 Brass insert for lock chains.



Options

- > Complete kits to fit to existing bins.
- > Can be fitted to bins during manufacture.
- > Custom colour matching (Minimum quantities apply).



Item Code	Description	Lift Weight	Overall Length	Overall Width	Opening Depth	Overall Height	Weight
ELP15	1.5m ³ Easylid Front lift bin lid (plastic part only)	N/A	1100mm	1880mm	870mm	210mm	16kg
ELK15	1.5m ³ Easylid Front lift bin lid (Full kit including hinges)	3kg	1120mm	1880mm	870mm	220mm	45kg
ELP30	3.0m ³ Easylid Front lift bin lid (plastic part only)	N/A	1630mm	1880mm	1350mm	280mm	26kg
ELK30	3.0m ³ Easylid Front lift bin lid (Full kit including hinges)	5kg	1650mm	1880mm	1350mm	290mm	70kg

Please note that these dimensions are nominal and some variation may occur.

Standard colours



Twin lids for Front lift bins

Easyquip Twin lids for Front lift bins are a strong and versatile design that can be fitted to new bins or purchased separately as replacement parts. These lids are designed with two hinge tube holes and three lid stay holes so they can be fitted to almost any Front lift bin as replacement for other lid designs.

Moulded from High quality LLDPE with unique stiffening ribs to reinforce the lid prop and hinge area these lids are designed to be a much more durable and long lasting lid. Tests have proved them to be significantly stronger than other twin lid options currently available.

Features

- > Reinforced hinge and prop area.
- > Fits all common Front lift bins.
- > Durable and long lasting.

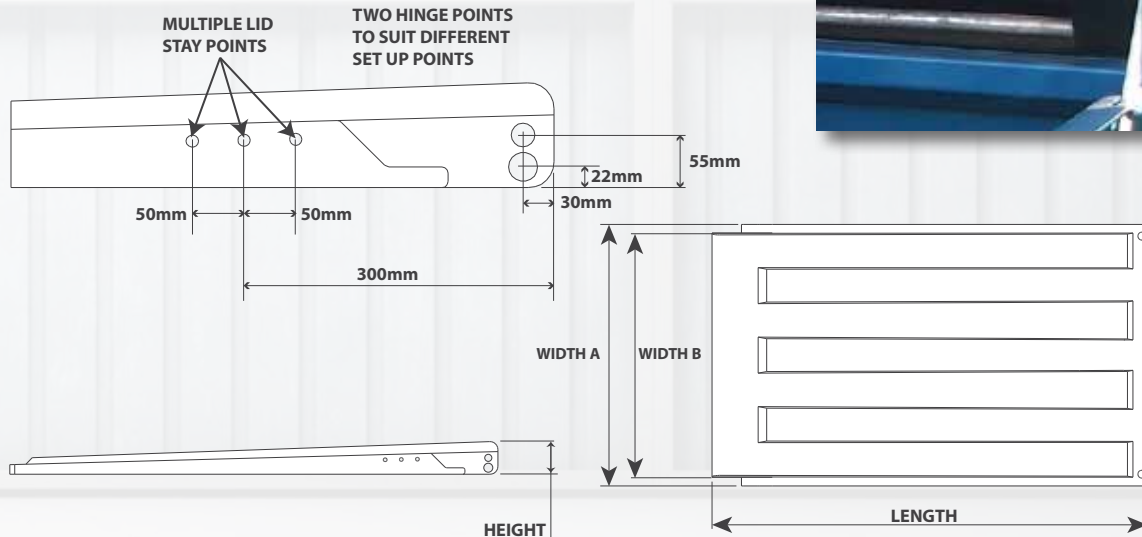


Specifications

- > Rotationally moulded from LLDPE.
- > Two moulded hinge tube holes.
- > Three moulded Lid Prop bolt holes to suit M12 Bolt through.
- > M10 Brass inserts for locking chains.

Options

- > Complete kits to fit to existing bins.
- > Can be fitted to bins during manufacture.
- > Custom colour matching (Minimum quantities apply).



Item Code	Description	Length	Width A	Width B	Height	Weight
TL15	Twin lid for 1.5m ³ Front lift bin	1050mm	915mm	855mm	120mm	8kg
TL30	Twin lid for 3.0 - 6m ³ Front lift bin	1510mm	915mm	855mm	120mm	12.5kg

Please note that these dimensions are nominal, some variation may occur.

Standard colours



Side hinged Easylids

Easyquip side hinged lids are manufactured to suit 3.0m³ & 4.5m³ Front lift bins with a design developed to reduce OH&S risks and bin emptying presentation time.

Features

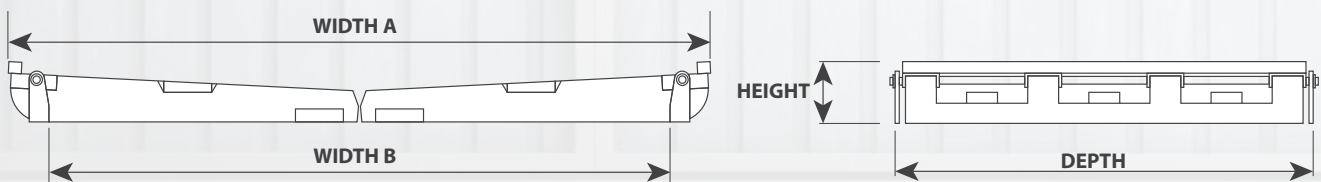
- > No requirement for the bin to be turned around during presentation time.
- > Eliminates the need to reach over bin to open or close the lid.
- > One handed opening and closing operation.
- > No lid stay injuries.
- > Wide opening for top loading.

Specifications

- > Lid - Rotationally moulded LLDPE plastic.
- > Counterweights - Galvanised steel.
- > Hinge tubes - Galvanised steel.
- > Hinges - Laser cut steel.

Options

- > Kits available to suit 3.0m³ & 4.5m³ Front lift bins.
- > Can be fitted to bins during manufacture.
- > Complete kits to fit existing bins.



Item Code	Description	Lift Weight	Width A	Width B	Overall Depth	Overall Height
ELK2SH	Side Hinged Easylid Kit complete top assembly to suit 3.0m ³ & 4.5m ³	6kg	2060mm	1840mm	1530mm	190mm
ELP2SH	Side Hinged lid plastic part only (require 2 per bin)	N/A	1000mm	1000mm	1490mm	125mm

Please note that these dimensions are nominal and some variation may occur.

Standard colours



The Autolock is a gravity operated automatic bin locking system for Front Lift bins.

The Autolock system enables the driver to stay in the truck cab when presenting to the securely locked bin, which will automatically unlock when the bin is emptied into the hopper. Once the bin has been emptied and placed back on the ground it will automatically have relocked.

Features

- > Save time and money.
- > Reduce fleet size.
- > Improve driver morale.
- > Reduce wind-borne litter and foreign object damage (FOD).
- > Increased security.
- > Eliminate OH&S risks.

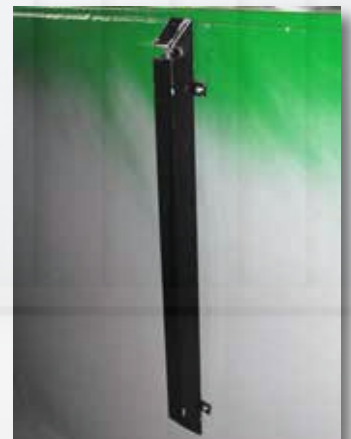


Specifications

- > Body and lock mechanism- painted steel.
- > Push button- Brass.
- > Button guide- Stainless steel.
- > Latch box- LLDPE plastic.

Options

- > Kits available to suit all common Front lift bin and lid types.
- > Can be fitted to bins during manufacture.
- > Complete kits to fit to existing bins.



Item Code	Description
ALKEL	Autolock Kit for Easylid
ALKELFT	Autolock Kit for Easylid fitted to bin during manufacture
ALKTL	Autolock Kit for Twin lids
ALKTLFT	Autolock Kit for Twin lids fitted to bin during manufacture

Please note that these dimensions are nominal and some variation may occur.

Wheel sets

Item Code	Description
FLCASTCI	Front lift bin castor set, 2 x fixed forks, 2 x swivel castors, 150mm Cast iron wheels, includes bolts
FLCASTPU	WFront lift bin castor set, 2 x fixed forks, 2 x swivel castors, 150mm Cast iron wheels with Poly Urethane Tyres, includes bolts
FLCASTPUBR	Front lift bin castor set, 2 x fixed forks, 2 x swivel castors with brakes, 150mm Cast iron wheels with Poly Urethane Tyres, includes bolts
FLCASTRU	Front lift bin castor set, 2 x fixed forks, 2 x swivel castors, 150mm Cast iron wheels with Rubber Tyres, includes bolts
FLCASTRUBR	Front lift bin castor set, 2 x fixed forks, 2 x swivel castors with brakes, 150mm Cast iron wheels with Rubber Tyres, includes bolts

Brake option available for Polyurethane and rubber tyre sets.



Bin Components

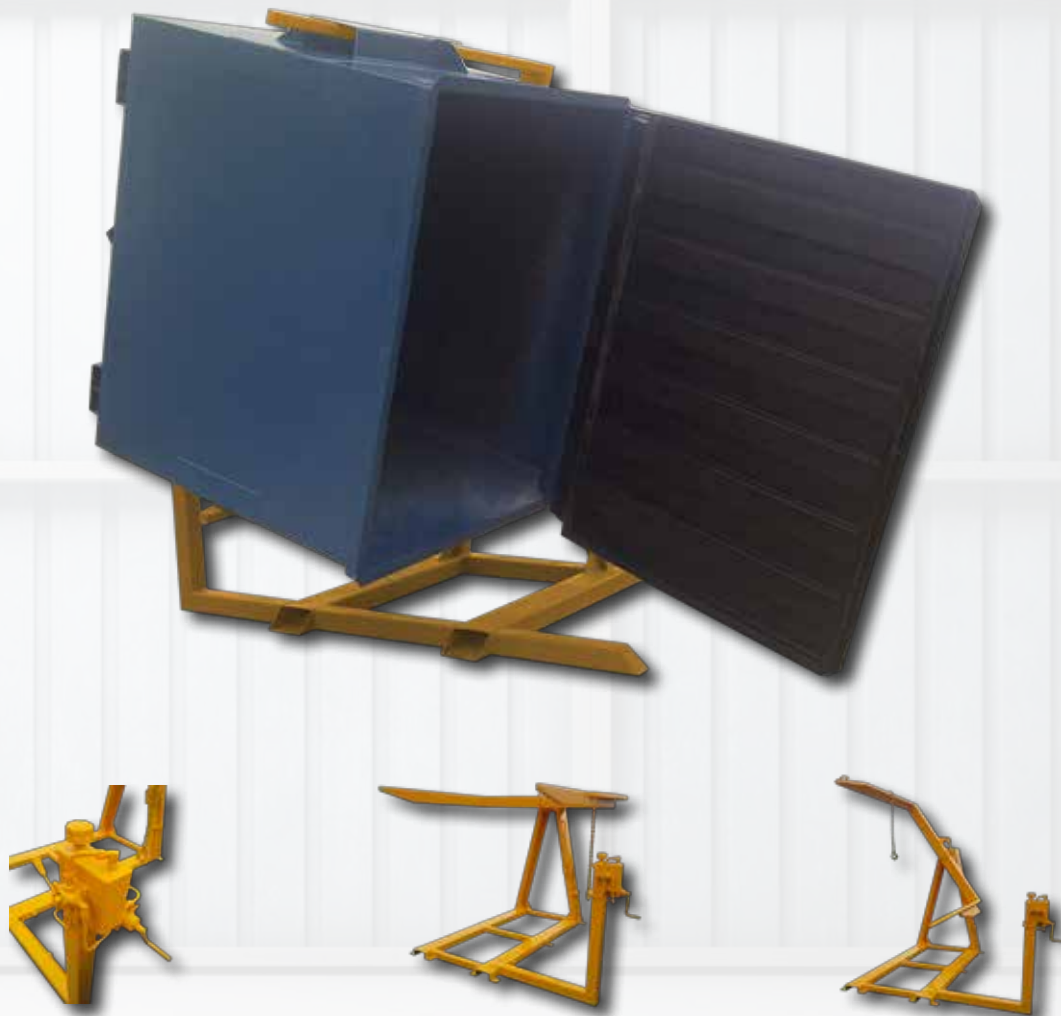
Item Code	Lid Parts for Front Lift Bins
ELC15	Counterweight for 1.5m ³ Easylid
ELC30	Counterweight for 3.0m ³ Easylid
ELC2SH	Counterweight for side hinged Easylid - require 2 per bin
FLHT211600	Front lift bin hinge tube, 21mm diameter, 1600mm long - suits side hinged Easylid
FLHT21900	Front lift bin hinge tube, 21mm diameter, 1900mm long - suits Sulo TL, Easyquip TL top hole and 1.5m ³ Easylid.
FLTH271900	Front lift bin hinge tube, 27mm diameter, 1900mm long - suits Trimcast TL, Easyquip TL lower hole and 3.0m ³ Easylid.
ELH15	Hinge bracket for 1.5m ³ Easylid - require 2 per bin
ELH30	Hinge bracket for 3.0m ³ Easylid - require 2 per bin
ELH2SH	Hinge bracket for side hinged Easylid - require 4 per bin
ELD15	Detent RHS for 1.5m ³ Easylid
ELD30	Detent RHS for 3.0m ³ Easylid
7ZW	Washer for 21mm Hinge tube (7/8 x 15/8 x14G Zinc)
M27GW	Washer for 27mm Hinge tube (M27 Gal)
M5SP	Split pin for Hinge Tube (M5x50)
TLS-NL	Front lift bin lid stay - Long notched type.
TLS-NS	Front lift bin lid stay - Standard notched type.
TLS-S	Front lift bin lid stay - Slotted type



The Easyquip bin rotator allows an operator to rotate a Front lift bin using a hydraulic hand pump until it is nearly inverted. Then operator now has safe and easy access to scrape out any remaining waste and pressure wash the bin.

Benefits

- > Reduced OH&S risks
- > Improved productivity
- > Happier Workers.



Part Code	Description	Width	Height	Length	Capacity
FL-R	Front lift bin Rotator	2800mm	1900mm	2400mm	Front lift bins 1.5 to 6.0m

Please note that these dimensions are nominal and some variation may occur.

Easyquip hook lift bins are a strong and durable design suited to all waste types including scrap metal and demolition work.

Rated to a SWL of 12 tonne the 5mm walls and heavy RHS sections of this design offer greater resistance to damage while the smooth side profile gives a clean attractive appearance and signage can be easily fitted.

Custom built to your specific requirements and design upon request.

Features

- > Engineer approved 12 tonne SWL.
- > Strong and durable design.
- > Consistent quality.

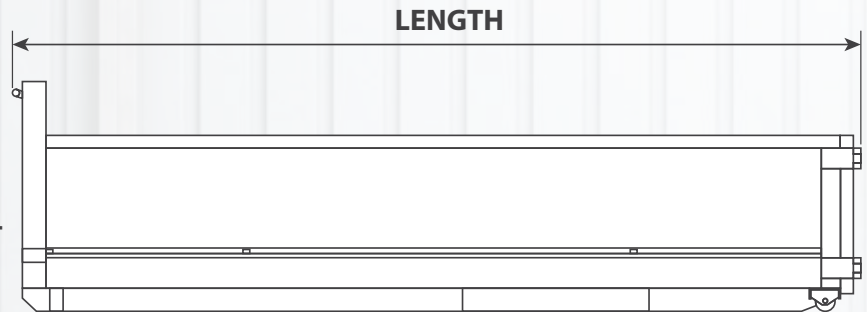
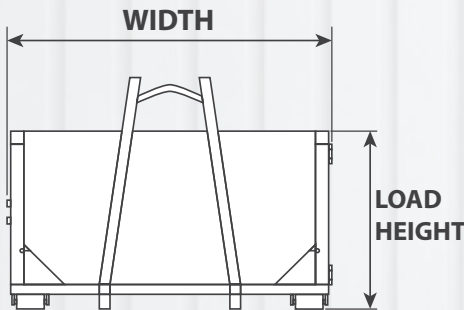
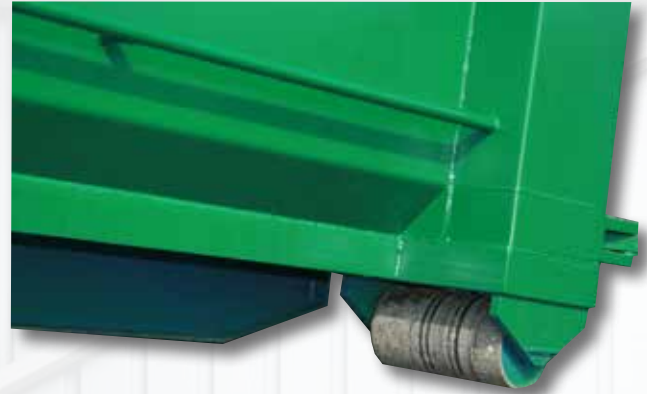
Specifications

- > SWL 12 Tonne.
- > 5mm Mild Steel Bin Body.
- > 100x100x5 Wall RHS.
- > Main rails 230 PFC channel with 5mm reinforcing gussets.
- > 50mm Diameter High Carbon steel lift pin.
- > Floor cross members 50x50x4 RHS.
- > Front Beam and A frame 230 PFC.
- > Ratchet operated over-centre door lock.
- > Greaseable Hinges.
- > Greaseable 150mm rear rollers.
- > Door safety chain fitted with Latching Hook.
- > Full length Rope rails.
- > Primed and painted in Industrial Enamel to colour of choice.

Options

- > 2 Pak paint.
- > Lid and Tarps.
- > Door seal.
- > Ladders.
- > Hook-Dino combination.
- > De-watering floor.
- > Galvanizing (available up to 15m³).
- > Craneable bins.
- > Internal divider doors.
- > QT450 Floor and Walls (Hardox or similar).
- > Custom designs.
- > Non-standard sizes.





Item Code	Description	Floor Length	Overall Length	Overall Width	Load Height
HL4506	6m ³ Hook lift bin, 4.5m Floor length	4500mm	4900mm	2500mm	850mm
HL4508	8m ³ Hook lift bin, 4.5m Floor length	4500mm	4900mm	2500mm	1050mm
HL4510	10m ³ Hook lift bin, 4.5m Floor length	4500mm	4900mm	2500mm	1250mm
HL4512	12m ³ Hook lift bin, 4.5m Floor length	4500mm	4900mm	2500mm	1450mm
HL4515	15m ³ Hook lift bin, 4.5m Floor length	4500mm	4900mm	2500mm	1750mm
HL6006	6m ³ Hook lift bin, 6.0m Floor length	6000mm	6400mm	2500mm	700mm
HL6008	8m ³ Hook lift bin, 6.0m Floor length	6000mm	6400mm	2500mm	850mm
HL6010	10m ³ Hook lift bin, 6.0m Floor length	6000mm	6400mm	2500mm	1000mm
HL6012	12m ³ Hook lift bin, 6.0m Floor length	6000mm	6400mm	2500mm	1150mm
HL6015	15m ³ Hook lift bin, 6.0m Floor length	6000mm	6400mm	2500mm	1400mm
HL6018	18m ³ Hook lift bin, 6.0m Floor length	6000mm	6400mm	2500mm	1600mm
HL6020	20m ³ Hook lift bin, 6.0m Floor length	6000mm	6400mm	2500mm	1800mm
HL6023	23m ³ Hook lift bin, 6.0m Floor length	6000mm	6400mm	2500mm	2000mm
HL6025	25m ³ Hook lift bin, 6.0m Floor length	6000mm	6400mm	2500mm	2150mm
HL6031	31m ³ Hook lift bin, 6.0m Floor length	6000mm	6400mm	2500mm	2600mm
HL6535	35m ³ Hook lift bin, 6.5m Floor length	6500mm	6900mm	2500mm	2700mm
HL7040	40m ³ Hook lift bin, 7.0m Floor length	7000mm	7400mm	2500mm	2850mm

Please note that these dimensions are nominal and some variation may occur.

Easyquip Crane Rated Hook lift bins are a strong and durable design fitted with 4 lifting points and suited to all waste types including scrap metal and demolition work.

Engineered and Certified to Australian Standard AS4991-2004 lifting gear and rated to a WLL of 10 tonne the 5mm floor and walls with the heavy RHS sections of this design offer greater resistance to damage while the smooth side profile gives a clean attractive appearance with a large flat area for signage.

Features

- > Complies with AS4991-2005 Lifting Gear standard
- > 10 Tonne Crane lift WLL
- > NDT Test certificates supplied.

Specifications

- > 5mm Floor and Wall sheets
- > 150x100x6 Wall RHS
- > Main Rails 230 PFC Channel with 5mm Reinforcing gussets
- > 50mm Diameter, High Carbon steel lift pin.
- > Floor crossmembers 50x50x3 RHS
- > Front Beam and A frame 230 PFC
- > Ratchet operated door lock
- > Greaseable hinges
- > Greaseable 150mm rear rollers
- > Door safety chain with latching hook
- > Primed and painted in Equipment Enamel to colour of choice.



Options

- > 2 Pak Paint.
- > Lids and tarps
- > Door seals
- > Hook - Dino combination
- > Hardox floor and walls

Item Code	Description	Floor length	Overall Length	Overall Width	Loading Height
HL4506C	6m ³ Crane Rated Hook lift bin, 4.5m Floor.	4500mm	4900mm	2500mm	850mm
HL4508C	8m ³ Crane Rated Hook lift bin, 4.5m Floor.	4500mm	4900mm	2500mm	1050mm
HL4510C	10m ³ Crane Rated Hook lift bin, 4.5m Floor.	4500mm	4900mm	2500mm	1250mm
HL4512C	12m ³ Crane Rated Hook lift bin, 4.5m Floor.	4500mm	4900mm	2500mm	1450mm
HL6006C	6m ³ Crane Rated Hook lift bin, 6.0m Floor.	6000mm	6400mm	2500mm	700mm
HL6008C	8m ³ Crane Rated Hook lift bin, 6.0m Floor.	6000mm	6400mm	2500mm	850mm
HL6010C	10m ³ Crane Rated Hook lift bin, 6.0m Floor.	6000mm	6400mm	2500mm	1000mm
HL6012C	12m ³ Crane Rated Hook lift bin, 6.0m Floor.	6000mm	6400mm	2500mm	1150mm
HL6015C	15m ³ Crane Rated Hook lift bin, 6.0m Floor.	6000mm	6400mm	2500mm	1400mm
HL6018C	18m ³ Crane Rated Hook lift bin, 6.0m Floor.	6000mm	6400mm	2500mm	1600mm
HL6023C	23m ³ Crane Rated Hook lift bin, 6.0m Floor.	6000mm	6400mm	2500mm	2000mm

Please note that these dimensions are nominal and some variation may occur.

Easyquip's Hooklift trays are a high quality, versatile product. The ability to use your Hooklift truck as a flat top tray increases the flexibility and can remove the requirement for additional assets.

Features

- > Versatile.
- > High quality.
- > Customised to suit your needs.

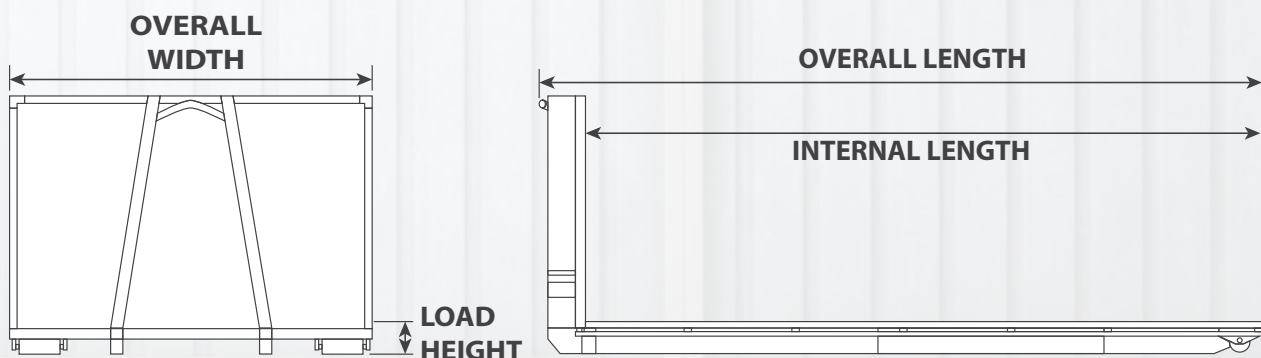


Specifications

- > 3mm Checker plate floor.
- > Main rails 200 PFC channel with 5mm reinforcing gussets.
- > A frame 200 PFC.
- > Floor crossmembers 75x40.
- > Greaseable 150mm rear rollers.
- > 25mm diameter tie rails.
- > Primed and painted in Industrial Enamel colour of choice.

Options

- > 5mm checker plate floor.
- > 2 Pak paint.
- > Binder Rails.
- > Load Binders.
- > Tray gates.
- > Drop down sides.
- > Loading ramps for the rear of tray.
- > Custom designs.



Item Code	Description	Floor Length	Overall Length	Overall Width	Loading Height
HLT48	Hook lift tray, 4.8m Floor	4800mm	5100mm	2500mm	280mm
HLT60	Hook lift tray, 6.0m Floor	6000mm	6300mm	2500mm	280mm

Please note that these dimensions are nominal and some variation may occur.

Easyquip can supply Compactor Receiver bins to suit any stationary compaction system. Our design features a smooth sided curved profile which offers strength, a clean attractive appearance and easy application of signage. As with all our products Easyquip Compactor bins are finished to the highest standard.

Features

- > Smooth side profile for Signage.
- > Low Tare weight.
- > Consistent Quality.

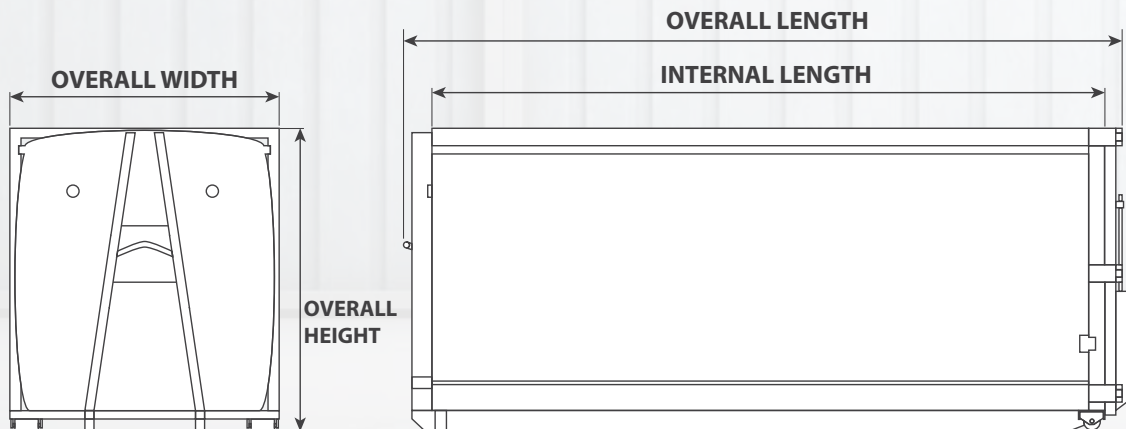
Specifications

- > 5mm Mild Steel Floor.
- > 3mm GR350 Mild Steel Side walls.
- > 6mm Mild Steel Front wall.
- > Main rails 200 PFC channel.
- > Rear cross member 180 PFC.
- > A frame 200 PFC.
- > Ratchet operated over-center door lock.
- > Greaseable Hinges.
- > Greaseable 150mm rear rollers.
- > Primed and painted in Industrial Enamel to colour of choice.
- > Canvas compactor opening cover.



Options

- > 2 Pak paint.
- > Custom sizes.
- > Steel compaction opening cover.
- > QT450 Floor and Walls (Hardox or similar).



Item Code	Description	Capacity	Floor Length	Overall Length	Overall Width	Overall Height
CRB30	Compactor Receiver Bin	30m ³	6.0m	6.5m	2.5m	2.7m
CRB40	Compactor Receiver Bin	40m ³	7.0m	7.5m	2.5m	2.95m

Please note that these dimensions are nominal and some variation may occur

Easyquip 2 piece rolling metal lids are strong and simple system to cover hook lift bins that can be padlocked to prevent un-authorised persons accessing the bin. The lids are fitted to new bins during manufacture but can be retro-fitted to existing bins depending on their design and condition.



Features

- > Removes OH&S risk.
- > Easy to Operate.
- > Minimal Maintenance.
- > Durable.
- > Lockable to prevent un-authorised access.

Specifications

- > RHS Frame.
- > Solid metal sheeting.
- > Nylon rollers.
- > Primed and painted in Industrial Enamel.

Options

- > 2 Pak paint.
- > Custom sizes.

Item Code	Description	Dimensions
HLLR	2 Piece rolling metal lid set for Hook lift bin	Suits bins from 4.5m to 7.0m long, dimensions vary to suit bin design

Please note that dimensions are nominal and some variation may occur.

Easyquip has been supplying Hydraulic metal lids for over 10 years. This lid design is a highly durable design, is easy to operate and requires minimal maintenance. These lids can be made to suit new bins during the manufacturing process or retro-fitted to existing bins depending on bin condition and design.



Features

- > Removes OH&S risk.
- > Reduce litter.
- > Easy to Operate.
- > Minimal Maintenance.

Specifications

- > Curved RHS frame.
- > Corrugated sheeting.
- > Single Hydraulic Cylinder.
- > Pilot check valves to prevent un-controlled descent.
- > Manual or Electric pump to operate.

Options

- > Mesh Sheeting on lid.
- > Solar power for electric pump.
- > 240V power for electric pump.



Item Code	Description	Dimensions
HLLMH	Metal lid for Hook lift bin opened with manual hydraulic pump	Suits bins from 4.5m to 7.0m long, dimensions vary to suit bin design
HLLRH	Metal lid for Hook lift bin opened with 3 phase electric hydraulic pump	Suits bins from 4.5m to 7.0m long, dimensions vary to suit bin design

Easyquip tarp systems to suit Hook lift bins allow you to secure the contents of the bin preventing litter, rain water entry and other issues without the need for drivers to climb on the bin to tarp the load.



Features

- > Removes OH&S risk.
- > Saves time.
- > Easy to Operate.
- > Prevent rain water entering bin.

Specifications

- > Grain Spec PVC Tarp.
- > Metal Hoops.

Item Code	Description	Dimensions
HLTSTS	Side-to-side Rolling PVC tarp fitted to Hook lift bin	Suits bins from 4.5m to 7.0m long, dimensions vary to suit bin design
HLFTB	Wind Out PVC tarp fitted to Hook lift bin	Suits bins from 4.5m to 7.0m long, dimensions vary to suit bin design

Please note that dimensions are nominal and some variation may occur

Easyquip can supply hook lift bins fitted with a solid roof and Easylid counterbalanced lids. This lid system is ideal for un-manned transfer stations and other sites where the bins are being hand-loaded and rubbish content requires a secure cover.



Features

- > Removes OH&S risk.
- > Easy to Operate.
- > Durable.
- > Lockable.
- > Prevents rain-water entering bin.

Specifications

- > RHS Frame.
- > 3mm Steel sheeting.
- > Easylid counterbalanced lids.
- > Primed and painted in Industrial Enamel.

Item Code	Description	Dimensions
HLLLEL	Solid Roof for Hook lift bin with Easylid counterbalanced lids.	Suits bins from 4.5m to 7.0m long, dimensions vary to suit bin design

Please note that dimensions are nominal and some variation may occur.

Easyquip manufacture a wide range of Marell skips from 2.0m³ to 12.0m³ made to our standard design or custom designs. Marell bins are ideal for large, heavy, non-compactable waste.

Features

- > Strong, durable design.
- > Consistent quality.
- > Customized to suit your requirements.

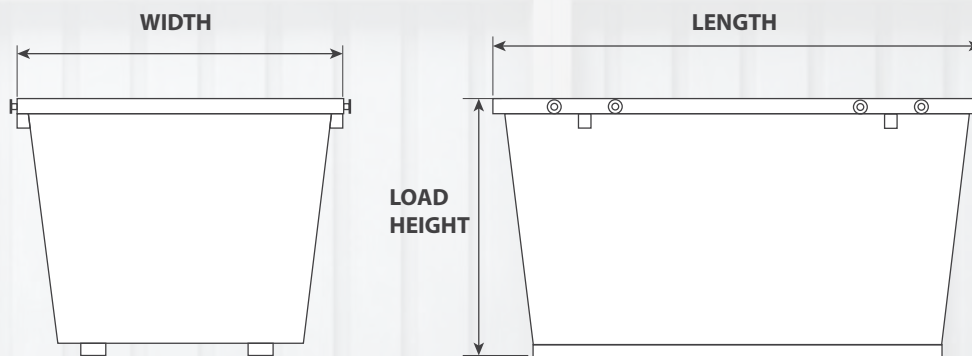
Specifications (2.0m³ to 6.0m³)

- > 3mm Wall sheet.
- > 4mm Floor sheet.
- > RHS Wall reinforcing.
- > 39mm lift pins with 75mm washers.
- > Stacking lugs.
- > Underfloor reinforcing.
- > Primed and painted in Industrial Enamel.



Options

- > Doors.
- > 5mm Floor sheet.
- > Drain holes in floor.
- > Galvanizing.
- > Non standard sizes and designs.
- > 2 Pak Paint.



Item Code	Description	Overall Length	Overall Width	Overall Height	Load Height
MR02	2m ³ Easyquip Marell Skip	1900mm	1600mm	950mm	950mm
MR02D	2m ³ Easyquip Marell Skip with door	1900mm	1600mm	950mm	950mm
MR03	3m ³ Easyquip Marell Skip	2500mm	1600mm	1050mm	1050mm
MR03D	3m ³ Easyquip Marell Skip with door	2500mm	1600mm	1050mm	1050mm
MR04	4m ³ Easyquip Marell Skip	3300mm	1600mm	1050mm	1050mm
MR04D	4m ³ Easyquip Marell Skip with door	3300mm	1600mm	1050mm	1050mm
MR05	5m ³ Easyquip Marell Skip	3400mm	1600mm	1380mm	1380mm
MR05D	5m ³ Easyquip Marell Skip with door	3400mm	1600mm	1380mm	1380mm
MR06	6m ³ Easyquip Marell Skip	3750mm	1650mm	1380mm	1380mm
MR06D	6m ³ Easyquip Marell Skip with door	3750mm	1650mm	1380mm	1380mm
MR08	8m ³ Easyquip Marell Skip	3750mm	1650mm	1750mm	1380mm
MR08D	8m ³ Easyquip Marell Skip with door	3750mm	1650mm	1750mm	1380mm

Please note that these dimensions are nominal and some variation may occur.

Easyquip Forklift bins are a heavy duty design suitable for the storage and transport of scrap metal and other bulk materials. All bins are fitted with lifting lugs and forklift pockets.

Features

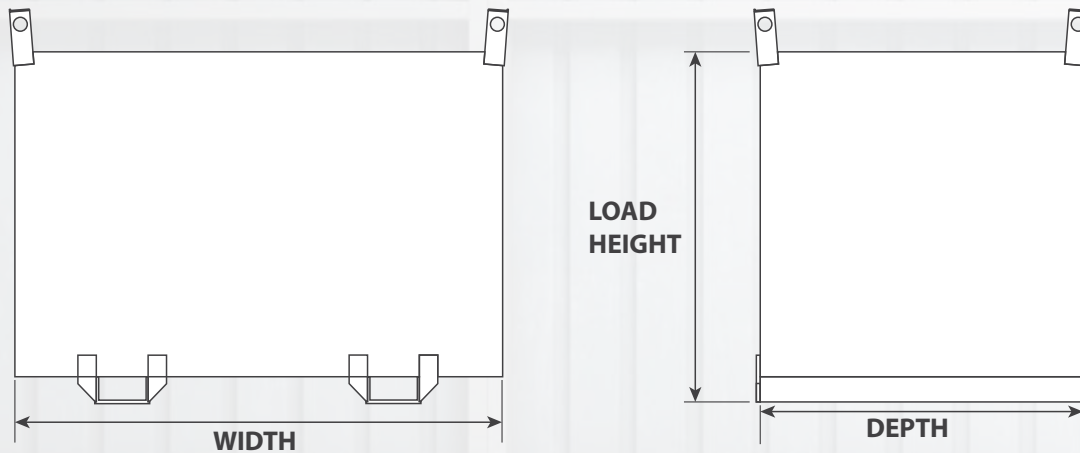
- > Strong, durable design.
- > Full length fork lift pockets.
- > Stackable.

Specifications

- > 3mm Wall sheet.
- > 3mm Floor sheet.
- > RHS Wall reinforcing.
- > Stacking Lugs.
- > 5mm Fork lift pockets.
- > Primed and painted in Equipment Enamel.

Options

- > Drainage Socket and plug.
- > Drain Holes in floor.
- > Galvanizing.
- > Non standard sizes and designs.
- > 2 Pak paint.



Item Code	Description	Capacity	Width	Depth	Load Height	Fork Spacing
FB01	Forklift bin 900x900x1000 (3x3x3)	0.7m ³	900mm	900mm	1000mm	880mm
FB02	Forklift bin 1200x1200x1000 (4x4x3)	1.3m ³	1200mm	1200mm	1000mm	1060mm
FB03	Forklift bin 1800x1200x1000 (6x4x3)	1.9m ³	1800mm	1200mm	1000mm	1060mm
FB04	Forklift bin 2400x1200x1000 (8x4x3)	2.6m ³	2400mm	1200mm	1000mm	1060mm
FB05	Forklift bin 900x900x1300 (3x3x4)	1.0m ³	900mm	900mm	1300mm	880mm
FB06	Forklift bin 1200x1200x1300 (4x4x4)	1.7m ³	1200mm	1200mm	1300mm	1060mm
FB07	Forklift bin 1800x1200x1300 (6x4x4)	2.6m ³	1800mm	1200mm	1300mm	1060mm
FB08	Forklift bin 2400x1200x1300 (8x4x4)	3.5m ³	2400mm	1200mm	1300mm	1060mm

Please note that these dimensions are nominal and some variation may occur.

Easyquip Crane bins are a heavy duty design suitable for storage, transport and crane lifting of all waste products. These bins are of a tapered design which allows them to nest together and are supplied with Lifting lugs, Tipping lugs and Forklift pockets.

Easyquip crane bins have been independently audited and meet Australian Standards for crane lifting.

Features

- > Engineer approved design.
- > Forklift channels.
- > Tipping lugs both ends.
- > Stackable for transport.

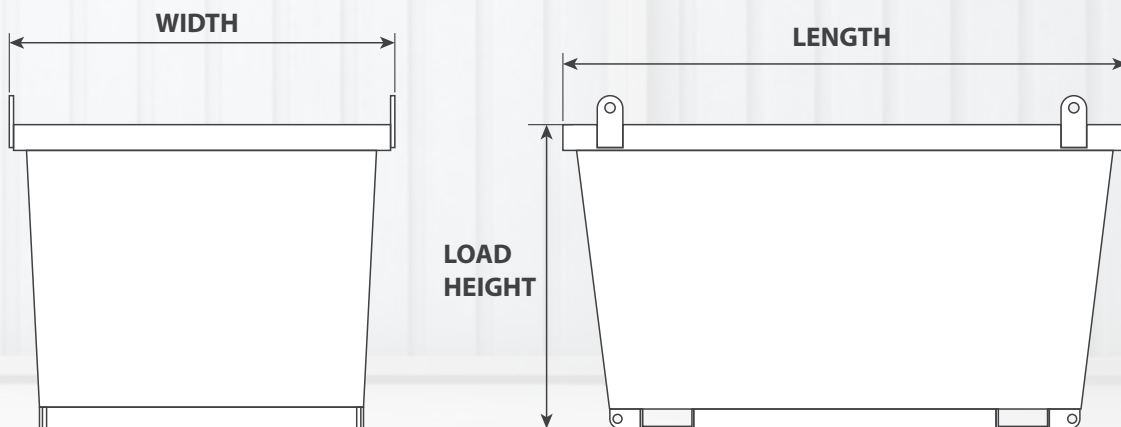


Specifications

- > 3mm Wall sheets.
- > 5mm Floor sheet.
- > 5mm RHS Wall reinforcing.
- > 5mm Forklift pockets at 1060mm overall spacing.
- > Primed and painted in Industrial Enamel.

Options

- > Galvanizing.
- > Heavy duty castors (CB-1.0 only).
- > Drainage Socket and plug.
- > Drain holes in floor.
- > 2 Pak paint.



Item Code	Description	WLL	Length	Width	Load Height	Fork Spacing
CB10	1.0m ³ Easyquip Crane Bin	4000kg	1600mm	1100mm	1000mm	1060mm
CB15	1.5m ³ Easyquip Crane Bin	4000kg	1600mm	1400mm	1000mm	1060mm
CB20	2.0m ³ Easyquip Crane Bin	4000kg	1900mm	1600mm	1000mm	1060mm
CB30	3.0m ³ Easyquip Crane Bin	4000kg	2500mm	1600mm	1100mm	1060mm
CB40	4.0m ³ Easyquip Crane Bin	4000kg	2500mm	1600mm	1350mm	1060mm

Please note that these dimensions are nominal and some variation may occur.

Drop bottom bins

Easyquip Drop Bottom bins are heavy duty bins ideal for transport and storage of a wide range of materials. These bins can be lifted and moved by Fork lift or Crane and emptied through the drop floor with a lever release. These bins comply with the Australian Standard 4991-2044 lifting equipment and have a WLL of 1000kg.

Features

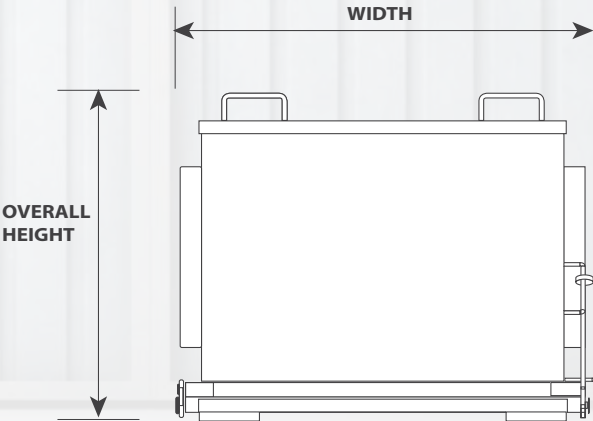
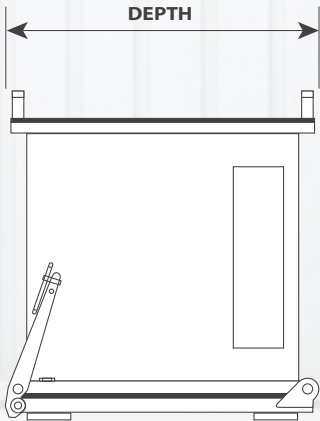
- > Improved productivity
- > Easy to use.
- > Store and transport a wide range of materials
- > Complies with AS4991-2004 Lifting Gear

Specifications

- > 3mm Wall sheet steel
- > Lever release
- > Enamel Painted Finish

Options

- > Castor Wheels
- > Galvanized Finish
- > Metal Lid
- > Paint in customer colour.



Item Code	Description	WLL	Width	Depth	Load Height	Fork Spacing
DB05	0.5m ³ Easyquip Drop Bottom Bin	1000kg	1350mm	1010mm	1000mm	1060mm
DB10	1.0m ³ Easyquip Drop Bottom Bin	1000kg	1350mm	1010mm	1000mm	1060mm
DB15	1.5m ³ Easyquip Drop Bottom Bin	1000kg	1650	1110mm	1000mm	1060mm

Please note that dimensions are nominal and some variation may occur

Roll Over Tippler bins

Roll over Forklift Tippler Bins provide an efficient solution in many materials handling areas. With a smooth, balanced roll over tipping action they can be easily operated from the driver's seat of the forklift.

These bins are available from standard with a "Push Button" release mechanism. They can also be optioned with a release lever.

Features

- > Smooth, balanced tipping action.
- > Operator can remain on Fork lift.
- > 1000kg SWL.

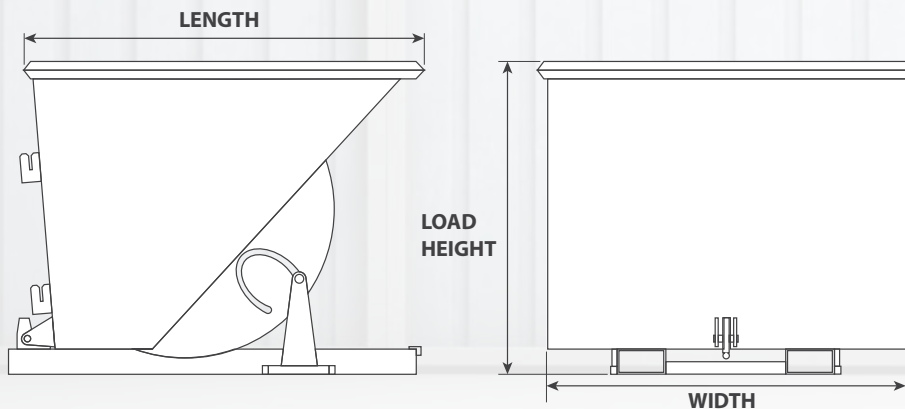


Specifications

- > Forklift Tine Pockets 100x200x4 RHS.
- > Bin Body 3mm Steel.
- > Reinforcing 50x50x5 Angle and 50x50x4 RHS.
- > Rolling Plates 10mm GR250 Steel.
- > Rolling surface 75x10 Flat Bar.
- > Fitted with Retainer chain to secure bin to forklift.
- > Fitted with safety chain to guard against accidental release.
- > Primed and painted in Equipment Enamel or as per customer specifications.

Options

- > Lever release.
- > Castors.
- > 2 Pak paint.



Item Code	Description	Length	Width	Load Height	Fork Spacing
TBRO10	1.0m ³ Roll Over tippler bin	1670mm	1000mm	1200mm	700mm
TBRO10C	1.0m ³ Roll Over tippler bin with Crane lift certification	1670mm	1000mm	1200mm	700mm
TBRO15	1.5m ³ Roll Over tippler bin	1670mm	1500mm	1200mm	1100mm
TBRO15C	1.5m ³ Roll Over tippler bin with Crane lift certification	1670mm	1500mm	1200mm	1100mm
TBRO20	2.0m ³ Roll Over tippler bin	1670mm	1900mm	1200mm	1100mm
TBRO25	2.5m ³ Roll Over tippler bin	2040mm	1600mm	1460mm	1100mm
TBRO30	3.0m ³ Roll Over tippler bin	2040mm	1900mm	1460mm	1100mm

Please note that these dimensions are nominal and some variation may occur.

Draw Back Tippler bins

Draw Back Forklift Tippler Bins provide an efficient solution in the materials handling areas. With correct forklift operation these bins are a safe and easy way to transport waste and release it into a larger container or onto the ground.

Features

- > Basic sturdy design.
- > Operator can remain on Fork lift.
- > 1000kg SWL.
- > Customised to suit your requirement.

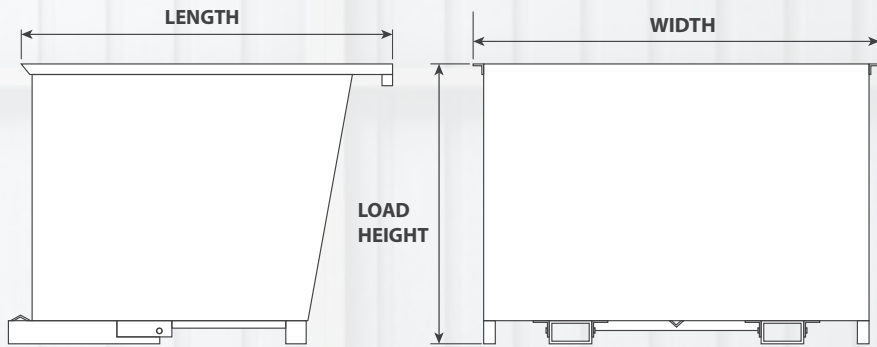


Specifications

- > Fork lift Tine Pockets 200x100x4 RHS'
- > Bin Body 3mm Mild Steel.
- > Reinforcing 50x50x5 Angle and 100x50x3 RHS.
- > Fitted with Retainer chain to secure bin to forklift.
- > Fitted with safety chain to guard against accidental release.
- > Primed and painted in Equipment Enamel or as per customer specification.

Options

- > Custom Sizing.
- > Lever Release.
- > Lids.
- > Heavy Duty Castors.
- > 2 Pak Paint.
- > Hot Dip Galvanised.
- > Crane lift certification.



Item Code	Description	Length	Width	Load Height	Fork Spacing
TBDB05	0.5m ³ Draw Back tippler bin	1670mm	1000mm	1200mm	700mm
TBDB05C	0.5m ³ Draw Back tippler bin with Crane certification	1670mm	1000mm	1200mm	700mm
TBDB10	1.0m ³ Draw Back tippler bin	1670mm	1000mm	1200mm	700mm
TBDB10C	1.0m ³ Draw Back tippler bin with Crane certification	1670mm	1000mm	1200mm	700mm
TBDB15	1.5m ³ Draw Back tippler bin	1670mm	1500mm	1200mm	1100mm
TBDB15C	1.5m ³ Draw Back tippler bin with Crane certification	1670mm	1500mm	1200mm	1100mm
TBDB20	2.0m ³ Draw Back tippler bin	1670mm	1900mm	1200mm	1100mm
TBDB20C	2.0m ³ Draw Back tippler bin with Crane certification	2040mm	1600mm	1460mm	1100mm
TBDB25	2.5m ³ Draw Back tippler bin	2040mm	1900mm	1460mm	1100mm
TBDB25C	2.5m ³ Draw Back tippler bin with Crane certification	2040mm	1600mm	1460mm	1100mm
TBDB30	3.0m ³ Draw Back tippler bin	2040mm	1900mm	1460mm	1100mm
TBDB30C	3.0m ³ Draw Back tippler bin with Crane certification	2040mm	1600mm	1460mm	1100mm

Please note that these dimensions are nominal and some variation may occur.

The Easyquip Front lift MGB Bin tipper provides an efficient solution for tipping MGB bins. Our bin tipper securely hold multiple wheelie bins which can be stored and moved around the site by fork lift or optional castors. When the bins need to be emptied the MGB bins can be tipped in a single lift by a standard Front lift truck.

Features

- > Easy storage, transport and emptying of wheelie bins.
- > Safer and more durable than bin lifter.
- > More cost effective than bin lifter.

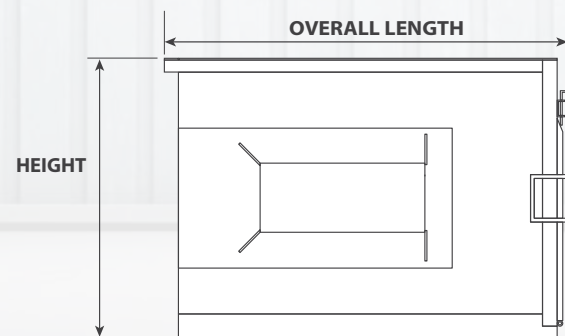
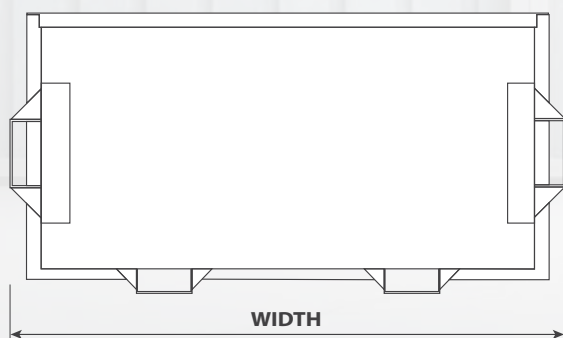


Specifications

- > 3mm Steel Walls.
- > 5mm Forklift pockets at 1060mm overall spacing.
- > Primed and painted in Equipment Enamel.

Options

- > Galvanizing.
- > Heavy duty castors.
- > Brackets to suit other bin sizes.
- > 2 Pak Paint.
- > Can be supplied with wheelie bins.



Item Code	Description	Length	Width	Height	Fork Spacing
WBCFL080	Front lift MGB Cradle, lifts 8 x 80L bins	1100mm	2020mm	765mm	1060mm
WBCFL240	Front lift MGB Cradle, lifts 6 x 240L bins	1500mm	2020mm	850mm	1060mm

Please note that these dimensions are nominal and some variation may occur.

Dumping Hopper bins

The Dumping Hopper bin is ideal for transport and storage of a wide range of materials. Fork lift pockets and optional Castor Wheels provide manoeuvrability and the lever release allows the operator to empty the bin quickly and easily.

Features

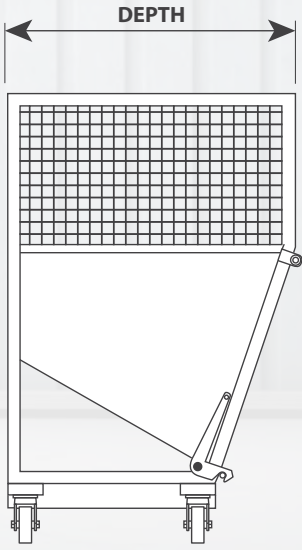
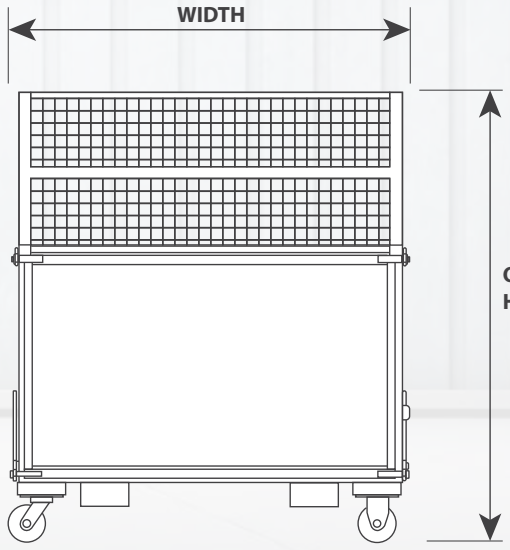
- > Improved productivity
- > Easy to use.
- > Store and transport a wide range of materials

Specifications

- > 3mm Wall and floor sheet
- > 3mm Floor sheet
- > 50x50x3 RHS Frame
- > 200x100 Fork pockets
- > Primed and Painted in Equipment Enamel.

Options

- > Castor Wheels
- > Galvanized Finish



Part Code	Description	Width	Height	Depth	Capacity
HB001	Dumping Hopper bin	1570mm	1700mm	1200mm	2.0m

Please note that dimensions are nominal and some variation may occur.

Easyquip Steel MGB bins are manufactured from high quality deep pressed sheet steel, Hot Dip galvanized for maximum protection against corrosion and fitted with a durable plastic lid. These bins are ideal for sites with high bin weights, frequent empties or a high risk of vandal damage.

Widely used in Europe for many years, these bins have become the four wheeled MGB of choice for many companies as the extended service life provides far better ROI compared to a plastic bin.

Features

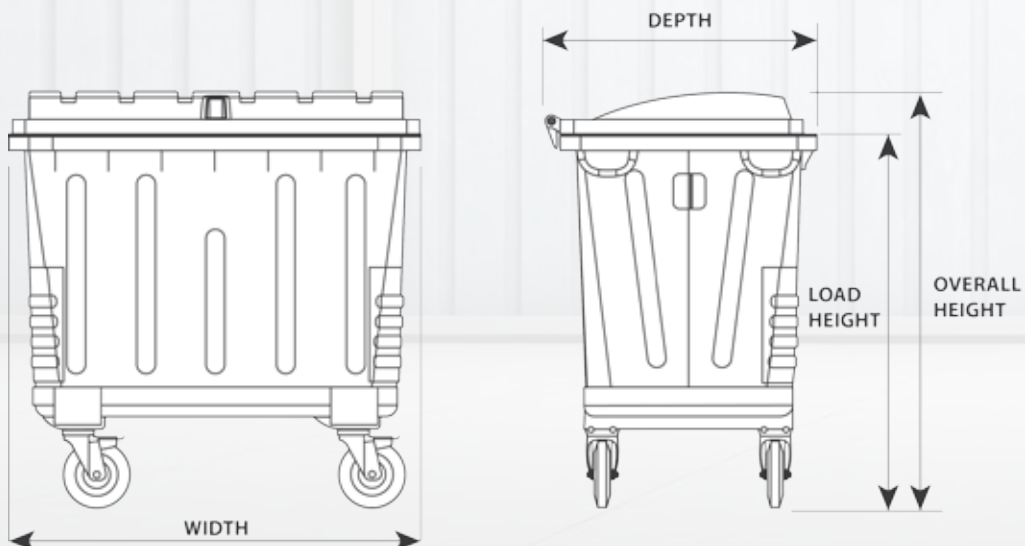
- > High strength welded steel construction.
- > Galvanized for corrosion resistance.
- > Tough, rotational moulded plastic lid
- > Reduced fire risk.

Specifications

- > Welded steel body
- > 4 x swivel wheels
- > 2 x brakes
- > Complies with EN840-2/5/6
- > Hot Dip Galvanised

Options

- > Paint in company colours.
- > Front lift truck pockets



Item Code	Description	Tare Weight	Max Load	Width	Depth	Overall Height	Load Height
MGB660S	Galvanized Steel 660 Litre MGB bin	75kg	400kg	1240mm	830mm	1240mm	1120mm
MGB1100S	Galvanized Steel 1100 Litre MGB bin	90kg	400kg	1240mm	1000mm	1395mm	1265mm

Custom Bins & Stillages

The team at Easyquip have many years of experience in the manufacture of bins and stillages for the storage and transport of all types of materials. With the equipment and skills to design and manufacture in either metals or plastics we can supply equipment to suit your existing stock or develop new designs to suit your needs.



Easyquip Vertical balers provide a safe, simple and efficient cost saving solution for waste disposal, they are able to bale a wide range of materials including: Cardboard, shrink wrap, PET bottles, plastics, tyres and Aluminium cans. These machines are manufactured in Europe and are low maintenance, safe and easy to use. Bale sizes range from 75kg - 650kg.

Features

- > Automatic Bale Eject.
- > Reduce Waste collection costs
- > Low Maintenance design.
- > High Compaction
- > Safe and simple operation.



Part Code	GB75A	GB150A	GB300LH	GB450A	GB550HD	GB650
Transport Height	2450mm	2250mm	1950mm	2300mm	2500mm	2500mm
Height	2450mm	2800mm	1950mm	3000mm	3300mm	3220mm
Width	1040mm	1525mm	1800mm	1780mm	2100mm	2100mm
Depth	585mm	1225mm	1100mm	1200mm	1100mm	1525mm
Opening height	600mm	560mm	595mm	680mm	880mm	880mm
Opening width	695mm	975mm	1200mm	1200mm	1500mm	1500mm
Opening Depth	500mm	805mm	800mm	800mm	770mm	1100mm
Weight	275kg	780kg	1140kg	1300kg	1650kg	1930kg
Power Supply	220V	220V	220-240v	400V	400V	400V
Motor	1.5kw/13A	2.2kw/16A	2.2kw/16A	11kw/32A	11kw/32A	11kw/32A
Pressing Force	3.5T	8T	20T	25T	50T	50T
Noise Level	72dB	74dB	74dB	74dB	74dB	74dB
Bale Height	750mm	1000mm	1000mm	1000mm	1100mm	1100mm
Bale Width	690mm	950mm	1200mm	1190mm	1500mm	1500mm
Bale depth	500mm	800mm	800mm	800mm	770mm	1100mm
Bale Weight (OCC)	75kg	150kg	300kg	450kg	550kg	650kg
Cycle Time	24s	40s	34s	34s	40s	40s

Please note that these dimensions are nominal and some variation may occur.

Easyquip Multi Chamber balers provide a cost effective solution for sorting and baling 2 or more waste types at a single location. Material is loaded into the chambers from the top and the press head is slid into position to compact the material.

Features

- > Add up to 6 extra chambers
- > Roller guided head
- > Saves Handling time.
- > Efficient sorting of material
- > Automatic Bale Eject.
- > Safe and simple operation.
- > Optional piercing head for cans and bottles



Part Code	GB75MA	GB200MA
Transport Height	1980mm	2470mm
Height	1980mm	2470mm
Width (with 2 chambers)	2050mm	3060mm
Depth	820mm	1100mm
Opening width	650mm	1100mm
Opening Depth	485mm	800mm
Weight	562mm	1400kg
Power Supply	240V	240V
Motor	1.5kw/13A	2.2kw/16A
Pressing Force	3.5T	15T
Noise Level	72dB	72dB
Bale Height	700mm	800mm
Bale Width	650mm	1100mm
Bale depth	480mm	800mm
Bale Weight (OCC)	75kg	200kg
Cycle Time	24s	34s

Please note that dimensions are nominal and some variation may occur.

Easyquip Horizontal Balers are suitable for Waste generators and Recycling Companies that need a high throughput machine to bale a wide range of materials including: Cardboard, shrink wrap, PET bottles, plastics, and Aluminium cans.

We have a wide range of machines available including door and channel type machines as well as manual and automatic wire tie.

Features

- > Low Maintenance design.
- > High Compaction
- > Safe and simple operation.
- > Wide range available.



Part Code	GB400HA	GB600HA
Height	2500mm	3500mm
Width	3200mm	3900mm
Length	6000mm	8000mm
Weight	7 Tonnes	13 Tonnes
Feed Opening	1200 x 690mm	1600mm x 1050mm
Voltage	415V 3 Phase	415V 3 Phase
Power	30HP/15kw	50HP/37kw
Ram Diameter	160mm	180mm
Cycle Time (unload)	20 secs	12secs
Bale Size	800 x 720 x 2500	1100 x 7250 x 2100

Please note that dimensions are nominal and some variation may occur.

Easyquip Transportable Pendulum Compactors are state-of-the-art self-contained compactors specially designed to compact wet waste from hotels, kitchens, food factories etc. Pendulum compactors are ideal for this task as the hopper compartment is fully sealed to prevent leakage, and the compactor blades are self-cleaning.

Features

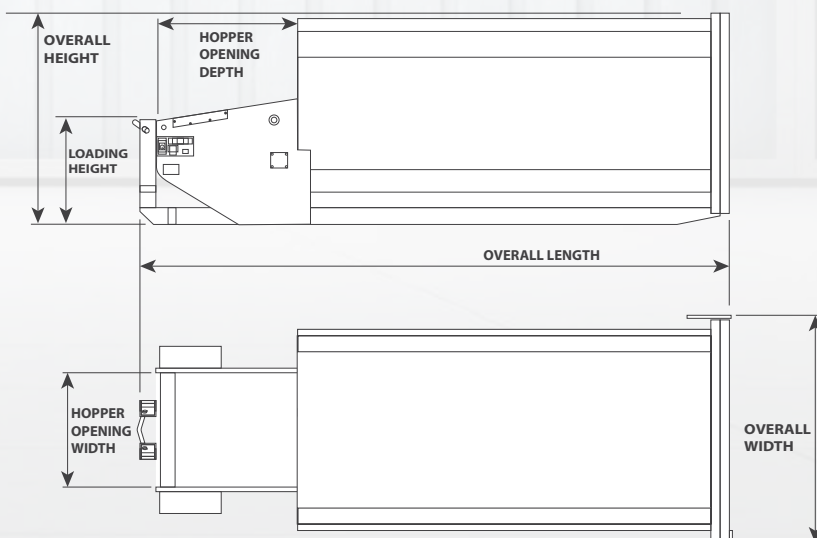
- > Cut transport cost by compacting waste
- > Reduced congestion and environmental Impact
- > No spillage or leakage during transport.
- > Prevent leachate, litter and vermin issues.
- > Sealed Hopper compartment.
- > Self-cleaning blade design.
- > Adjustable cycle timer.

Specifications

- > Container 75% full light.
- > Low maintenance aluminium valve control block.
- > Maintenance friendly electrical switch cabinet.
- > Designed in accordance with CE and Australian Standards.
- > Adjustable cycle timer.

Options

- > Container 100% full light.
- > Drainage points
- > Standard and custom loading hoppers.
- > Door seal.
- > Double end pick up.
- > Bin tipping mechanisms.
- > Fill level notification via mobile phone.



Type	Easyquip 23m ³ Pendulum Compactor
Charge Box Volume	2.12m ³
Capacity Per cycle	0.7m ³
Cycle Time	29s
Max Throughput	88m ³ /H
Cylinder Force	380kN
Hopper Opening Depth	1065mm
Hopper Opening Width	1640mm
Loading Height	1520mm
Overall Length	6800mm
Overall Width	2485
Overall Height (mm)	2360mm
Electric Motor	5.5Kw
Power Supply	400V / 16A

Please note that dimensions are nominal and some variation may occur.

Easyquip Transportable Blade Compactors are robust, high quality machines ideal for compacting large volumes of waste and recyclables to reduce transport costs, litter, vermin and other waste disposal issues. With a range of standard loading hoppers and bin tipping systems to suit almost all applications, plus the ability to design and build custom solutions we can provide an answer to fit your specific needs.

Features

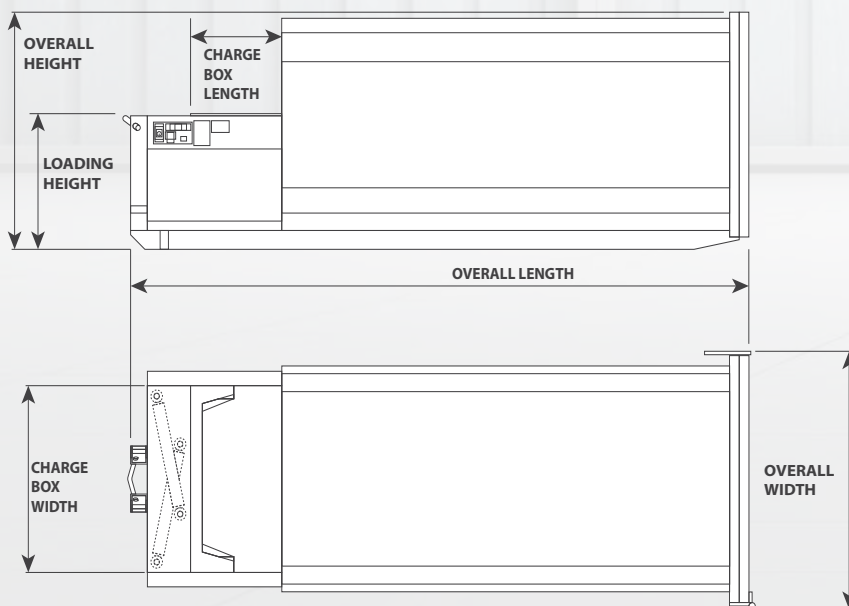
- > Cut transport cost by compacting waste
- > Reduced transport eases congestion and reduces environmental Impact
- > No spillage or leakage during transport.
- > Reduce litter and vermin issues.
- > From the hinged scraper blade,
- > One piece hydraulic valve block.

Standard equipment

- > Container 75% full light.
- > Patented aluminium valve control block is practically maintenance-free.
- > Maintenance friendly electrical switch cabinet and hydraulic unit are easily accessible.
- > Electronic safety controller is easily expandable for many additional function.
- > Designed in accordance with CE and Australian Standards.
- > Pendulous steel scraper in front of the ram.
- > Rubber seal on cylinder chamber maintenance hatch with safety limit switch.
- > Pendulous retaining claws prevent the waste from springing back.
- > Cylinder mounted in rotatable eyelets.

Optional equipment

- > Container 100% full light.
- > Cable remote control via the data port.
- > Standard and custom loading hoppers.
- > Door seal.
- > Double end pick up.
- > Bin tipping mechanisms.
- > Fill level notification via mobile phone.
- > End position of the ram open or closed.



Type	23m ³ Blade Compactor
Charge Box Volume	2.56m ³
Capacity Per stroke	1.47m ³
Cycle Time	34s
Max Throughput	155
Compaction Force	369kN
Charge box length	950mm
Charge box width	1840mm
Loading Height	1350mm
Overall Length	6800mm
Overall Width	2485
Overall Height (mm)	2360mm
Electric Motor	5.5Kw
Power Supply	400V / 16A

Please note that dimensions are nominal and some variation may occur.

Easyquip Transportable Screw Compactors are robust, high quality machines ideal for compacting large volumes paper, cardboard, foils, films, and PET. We also have a heavy duty model for disposable pallets and timber packaging. Thanks to the pre-crushing of the material it is possible to achieve higher compaction ratios than standard compactors. Easyquip Transportable Screw compactors are the ideal solution to your waste problem, with a range of standard loading hoppers to suit almost all applications and the ability to design and build custom solutions to fit your specific needs.

Features

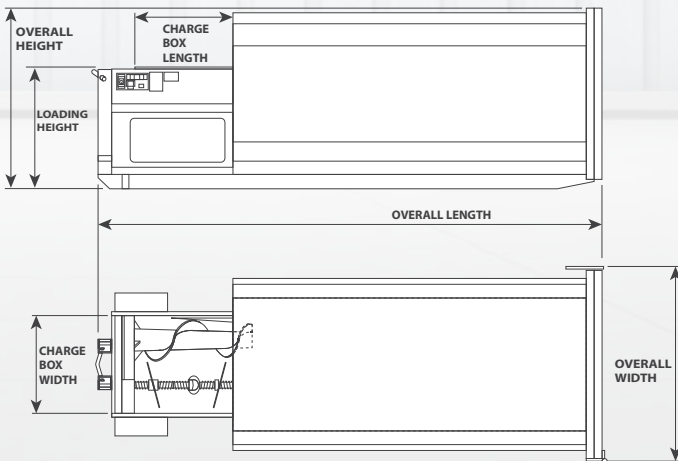
- > Cut transport cost by compacting waste
- > Reduced transport eases congestion and reduces environmental Impact
- > Pre-Crushing action of the screw offers better compaction performance and cost savings.
- > Robust chain drive system with soft start feature.

Specifications

- > Container 75% and 100% full light.
- > Soft start feature.
- > Fully automatic central lubrication system.
- > All functions controlled by PLC
- > Designed to meet CE and Australian Standards.

Optional equipment

- > Cardboard Feeder unit.
- > Standard and custom loading hoppers.
- > Bin tipping mechanisms.
- > Fill level notification via mobile phone.
- > Door Seal.
- > Double end pick up.



Type	Easyquip SV11 Screw Compactor 23m	Easyquip SV15 Screw Compactor 23m
Screw Diameter	770 / 550mm	770 / 550mm
RPM	15	15
Charge box length	1490mm	1490mm
Charge box width	1490mm	1490mm
Loading Height	1500mm	1500mm
Overall Length	6985	6985
Overall Width	2485	2485
Overall Height (mm)	2360	2360
Electric Motor	11Kw	15Kw
Power Supply	400V / 32A	400V / 32A

Please note that dimensions are nominal and some variation may occur.

Easyquip Stationary Blade Compactors are robust, high quality machines ideal for compacting large volumes of waste and recyclables to reduce transport costs, litter, vermin and other waste disposal issues. With cross cylinder design, patented aluminium valve block, hinged ram scraper blade and many other features the Easyquip compactors provide the low-maintenance, trouble-free solution you need.

Features

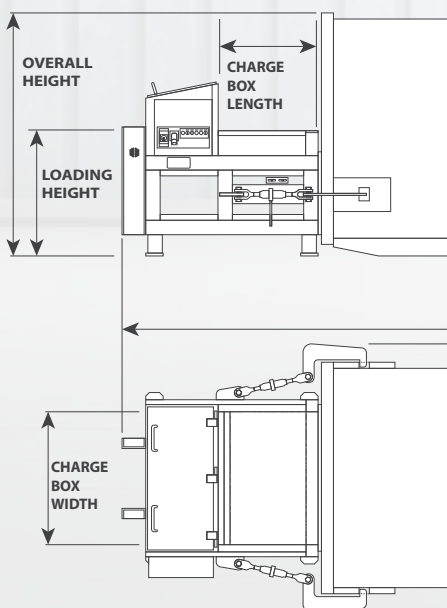
- > Compacting waste or recyclable material saves money on expensive transport costs.
- > Reduced transports eases congestion and reduces environmental impact.
- > Reduced litter and vermin issues.
- > Compact design with a large filling opening.
- > Hinged scraper blade prevents material build up behind ram
- > Patented aluminium valve block for trouble free operation.
- > Sealed access doors for servicing.

Standard equipment

- > Container 75% full light
- > Pendulous steel scraper in front of the ram.
- > Ram with plastic fine scraper at the bottom.
- > Cylinder mounted in rotatable eyelets.
- > Low maintenance aluminium valve control block.
- > Maintenance friendly electrical switch cabinet
- > Easily accessible hydraulic unit

Optional equipment

- > Container 100% full light
- > End position of the ram "open" or "closed"
- > Cable remote control via the data port
- > Hopper over filling opening or wall chute
- > Bin tipping mechanisms
- > Fill level notification via mobile phone



Type	STP-CA	STP-CA.1300	STP-CL	STP-CL.75
Charge Box Volume	1.36m ³	1.91m ³	3.14m ³	3.14m ³
Capacity Per stroke	1.14m ³	1.49m ³	2.23m ³	2.23m ³
Cycle Time	30s	48s	49s	49s
Max Throughput	138m ³ /H	110m ³ /H	164m ³ /H	164m ³ /H
Compaction Force	250kN	275kN	270kN	330kN
Boost Force	270kN	290kN	300kN	360kN
Charge box length	980mm	1400mm	1695mm	1695mm
Charge box width	1400mm	1400mm	1950mm	1950mm
Loading Height	1350mm	1350mm	1370mm	1370mm
Overall Length	2000mm	2790mm	2775mm	2775mm
Overall Width	2515mm	2515mm	2750mm	2750mm
Weight	1900kg	2400kg	2560kg	2560kg
Electric Motor	5.5Kw	5.5Kw	5.5Kw	7.5Kw
Power Supply	400V / 16A	400V / 16A	400V / 16A	400V / 32A

Please note that dimensions are nominal and some variation may occur.

The Easyquip range of Static Screw Compactors are robust, high quality machines ideal for compacting large volumes of paper, cardboard, foils, films, and PET. Designed and manufactured in Europe, there are more than 3000 of these machines in service worldwide. We also have a heavy duty model available that can be used to compact disposable pallets and timber packaging reducing transport costs.

Features

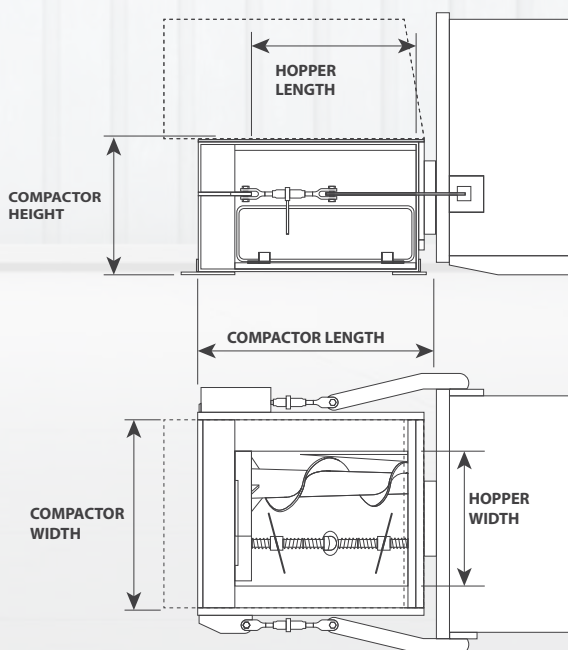
- > Cardboard compaction of up to 300kg/m³ through unique auger design and powerful motor.
- > Proven performer with over 3000 units in service worldwide.
- > Reduced transport requirement saves money reduces environmental impact.
- > Physically smaller than blade compactors of similar performance.
- > Robust drive system, soft start feature and fully automatic lubrication system.

Standard equipment

- > Electro-Mechanical chain drive with tensioner.
- > Fully automatic central lubrication system.
- > All functions controlled by PLC
- > Designed to meet CE and Australian Standards.

Optional equipment

- > Cardboard Feeder unit
- > Standard and custom loading hoppers
- > Bin tipping mechanisms
- > Fill level notification via mobile phone



Type	SV11 Screw Compactor	SV15 Screw Compactor
Screw Diameter	770 / 550mm	770 / 550mm
RPM	15	15
Charge box length	1490mm	1490mm
Charge box width	1490mm	1490mm
Loading Height	1500mm	1500mm
Compactor Length	1860mm	1860mm
Compactor Width	2485	2485
Weight	2000kg	2500kg
Electric Motor	11Kw	15Kw
Power Supply	400V / 32A	400V / 32A

Please note that dimensions are nominal and some variation may occur.

The Easyquip Pallet and Crate Compactor is a Heavy Duty Screw compactor for disposable pallets and timber packaging. The reinforced auger crushes the pallets and forces them into a receiver bin to achieve significantly higher payloads than traditional open top bins.

Features

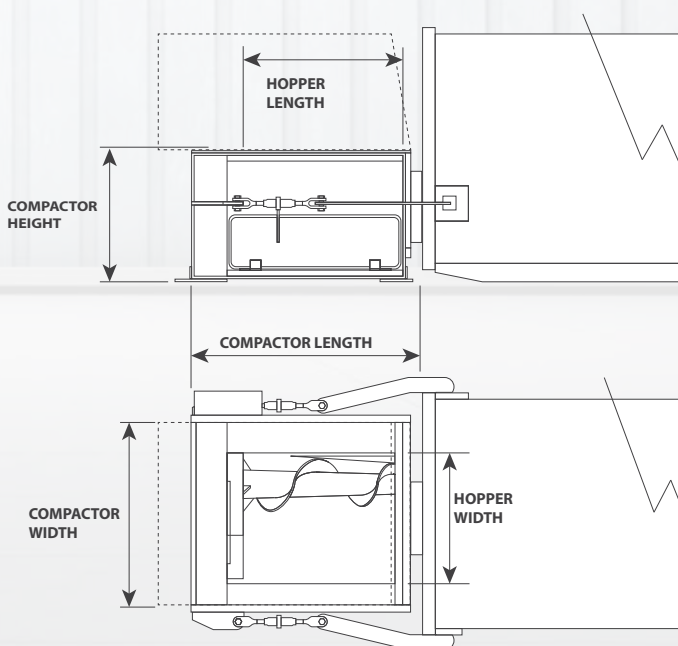
- > Huge volume reduction compared to open Hook lift bins.
- > Reduced transport requirement saves money reduces environmental impact.
- > Robust drive system, soft start feature and fully automatic lubrication system.

Specifications

- > Electro-Mechanical chain drive with tensioner.
- > Fully automatic central lubrication system.
- > All functions controlled by PLC
- > Designed in accordance with CE and Australian Standards.

Options

- > Standard and custom loading hoppers
- > Bin tipping mechanisms
- > Fill level notification via mobile phone
- > Can be supplied as transportable compactor



Type	SV15PL Screw Compactor
Screw Diameter	770 / 550mm
RPM	15
Charge box length	1490mm
Charge box width	1490mm
Loading Height	1500mm
Compactor Length	1860mm
Compactor Width	2485
Weight	2500kg
Electric Motor	15Kw
Power Supply	400V / 32A

Please note that dimensions are nominal and some variation may occur.

The Cobalt Series of screw compactors are robust, low maintenance machines designed to compact both wet and dry polystyrene reducing transportation costs and allowing the product to be recycled economically. By using the Cobalt compactors an organization can reduce their Waste to Landfill and Waste Disposal costs.

The SC1000 is the smallest model available with a throughput of approximately 25kg per hour, the mid-size SC2000 has a throughput of approximately 70kg per hour and the largest SC3000 model has a throughput of around 200kg per hour.

Features

- > Reduced Waste disposal Cost.
- > No Waste to Landfill.
- > Fast Continuous Throughput.
- > Automated Systems.
- > Easy to use Touch screen controls.



Specifications

Item Code	SC-1000	SC-2000	SC-3000
Pre-shredder Motor	N/A	1.5kW	1.5kW
Main Motor	2.2kW	7.5kW	15kW
Amps	16A	32A	45A
Electrical Supply	3 Phase 415V	3 Phase 415V	3 Phase 415V
Overall Width (A)	2950mm	3650mm	5160mm
Overall Depth (B)	500mm	1850mm	1850mm
Hopper Width (C)	750mm	800mm	1200mm
Hopper Depth (D)	340mm	800mm	1200mm
Loading Height (E)	1350mm	1600mm	1845mm
Overall Height (F)	1750mm (with lid open)	1900mm	2200mm
Machine Weight	300kg	800kg	1250kg
Throughput on EPS	25kg/h	90kg/h	220kg/h
Block Size	130x130mm	240x240mm	370x370mm
Block Length	Variable	Variable	Variable

Please note that these dimensions are nominal and some variation may occur.

Hot Melt EPS compactors are the best solution for compacting material such as Expanded Polystyrene (EPS), Polyethylene (EPE) and Polypropylene (EPP). The Melt technology gives a high ratio of volume reduction for cost effective transport to a recycling facility.

Features

- > High output density.
- > Reduced waste disposal costs
- > Low Maintenance design.
- > Safe and simple operation.



M-C50



M-C100



M-C200

Part Code	M-50	M-100	M-200
Motor Power	7.5kw	23kw	37.5kw
Capacity	50kg/h	100kg/h	200kg/h
Compaction Ratio	90:1	90:1	90:1
Compressed Foam Density	600-800kg/m ³	600-800kg/m ³	600-800kg/m ³
Hopper Width	370mm	515mm	740mm
Hopper Depth	570mm	800mm	970mm
Overall Length	1630mm	2030mm	3030mm
Overall Width	1300mm	1560mm	1650mm
Overall Height	1910mm	1950mm	2070mm
Weight	620kg	1500kg	620kg

Please note that these dimensions are nominal and some variation may occur.

EASYQUIP

IT CAN BE DONE



While Easyquip has made all reasonable efforts to ensure that details given in this catalogue are accurate at the time of publication, full technical specifications are not included and Easyquip reserves the right to alter specifications, details and information from time to time without notice to customers. Since the use of this information and the conditions in which these products are used are beyond the control of Easyquip, a user must determine whether the products are suitable for the purpose for which they are to be used, and is responsible for the safe use of the products.



Designing, developing and manufacturing a wide range of waste bins and related products for over 20 years

1300 797 543

EASYQUIP.NET.AU

