

WastePac 40 Baler



BALER DIMENSIONS

| | |
|-----------------------|--------------|
| Height | 1.694 m |
| Width | 0.718 m |
| Depth | 0.630 m |
| Weight | 140 kg |
| Transportation Height | 1.40 m |
| Power Supply | 240V 1 Phase |
| Motor | 1.5kW 13A |
| Pressing Force | Up to 3.0 T |
| Noise Level | 72 dB |
| Cycle Time | 20 Seconds |

BALE DIMENSIONS

| | |
|--------|-------------|
| Height | 0.600 m |
| Width | 0.535 m |
| Depth | 0.460 m |
| Weight | Up to 40 kg |

LOADING APERTURE SIZES

| | |
|--------|---------|
| Height | 0.490 m |
| Width | 0.522 m |

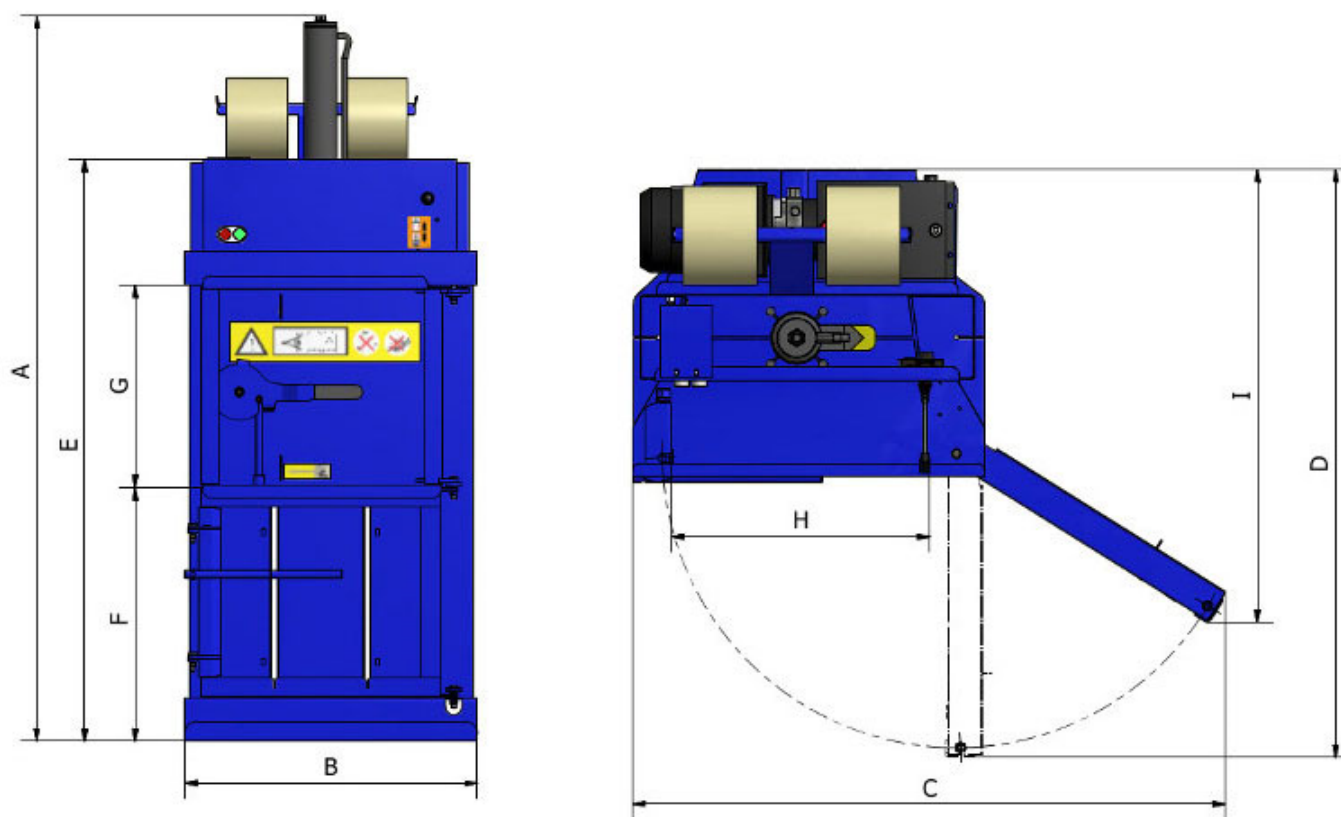
40 BALER FEATURES

- The smallest baler in the MACFAB range
- Ideal for locations where space and height is restricted
- Produces a very small compact bale

OPTIONAL EXTRAS

- Available with 110 volts power supply
- Available with 3-phase 380/400 volt power supply
- Galvanised Finish





A 1.694 m

B 0.718 m

C 1.119 m

D 1.186 m

E 1.409 m

F 0.614 m

G 0.490 m

H 0.522 m

I 0.913 m