

WastePac 40PET Baler



BALER DIMENSIONS

Height	2.336 m
Width	2.050 m
Depth	0.861 m
Weight	562 kg
Transportation Height	1.978 m
Power Supply	240V 1 Phase
Motor	2.2kW 16A
Pressing Force	Up to 8T
Noise Level	72 dB
Cycle Time	35 Seconds

BALE DIMENSIONS

Height	1.000 m
Width	0.700 m
Depth	0.500 m
Weight	Up to 40kg

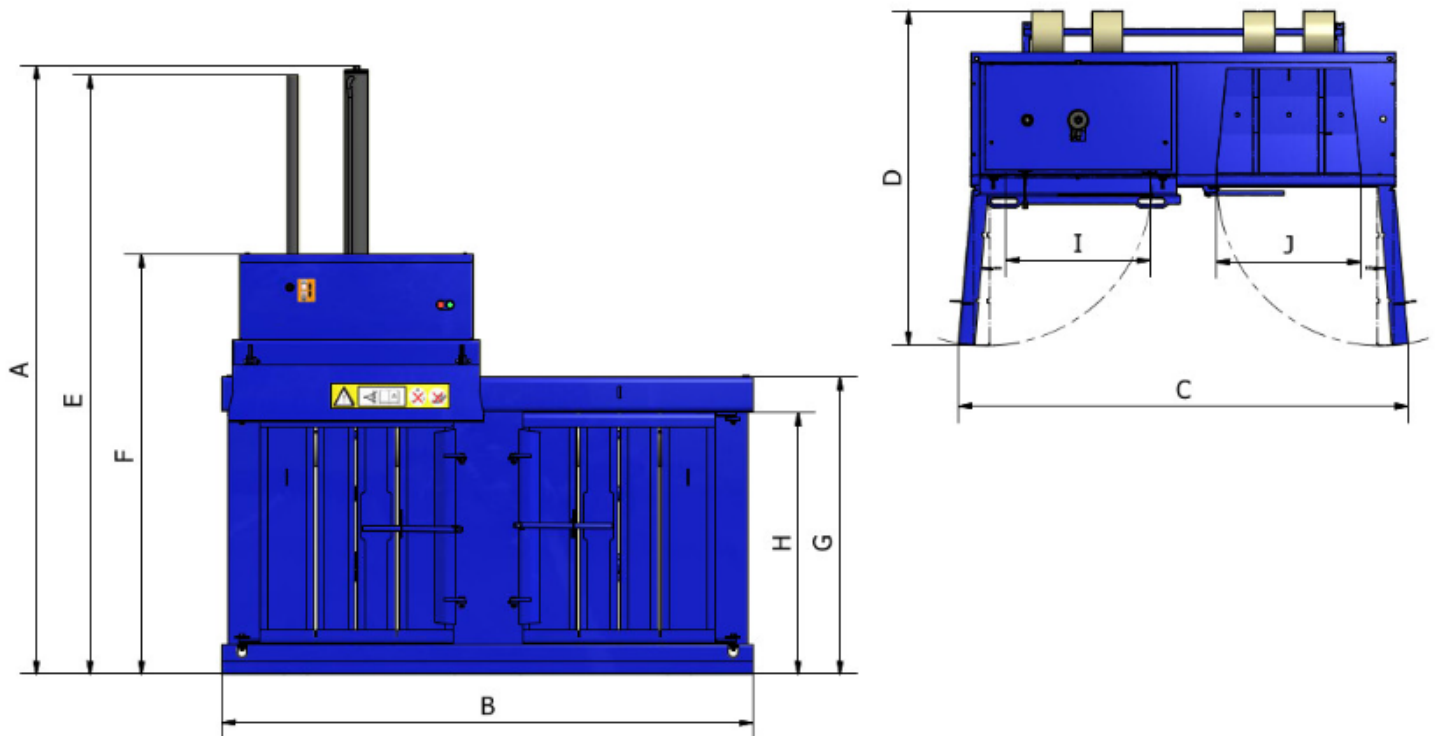
LOADING APERTURE SIZES

Depth	0.500 m
Width	0.700 m

40 PET BALER FEATURES

- Unique piercing mechanism eliminates the need for removal of bottle caps
- High compaction ratio
- Roller guided head for ease of movement
- Top loading baler for faster loading
- Save time by loading free chamber while machine is in operation
- Suitable where height is restricted
- Ideal for a medium to large amount of bottles
- 30L retention tank with tap connection for collection of residual liquid left in bottles





A 2.336 m

B 2.050 m

C 2.170 m

D 1.607 m

E 2.305 m

F 1.617 m

G 1.142 m

H 1.006 m

I 0.698 m

J 0.698 m