



# BACE

## BACE Vertical Baler V63HDLP

This Low Profile vertical-downstroke unit is designed for customers with limited space while still producing up to 700 lbs. of OCC. This is a multi-material machine capable of baling paper, plastic, fiber, OCC and Non-Ferrous metals and other commercial applications.

### Ideal for

- Grocery Stores
- Home Retailers
- Pharmacies
- Big Box Retailers
- National Accounts
- Commissaries
- Warehouses
- Distribution Centers
- Hospitals, Schools & Universities
- Recyclers



**Order Today: (877) 506-BACE**  
or visit us online at [www.bacecorp.com](http://www.bacecorp.com)

322 West 32nd Street  
Charlotte, NC. 28206

*BACE Vertical Balers meet or exceed all existing ANSI & OSHA Safety Standards and are totally 100% ETL & CETL Approved.*



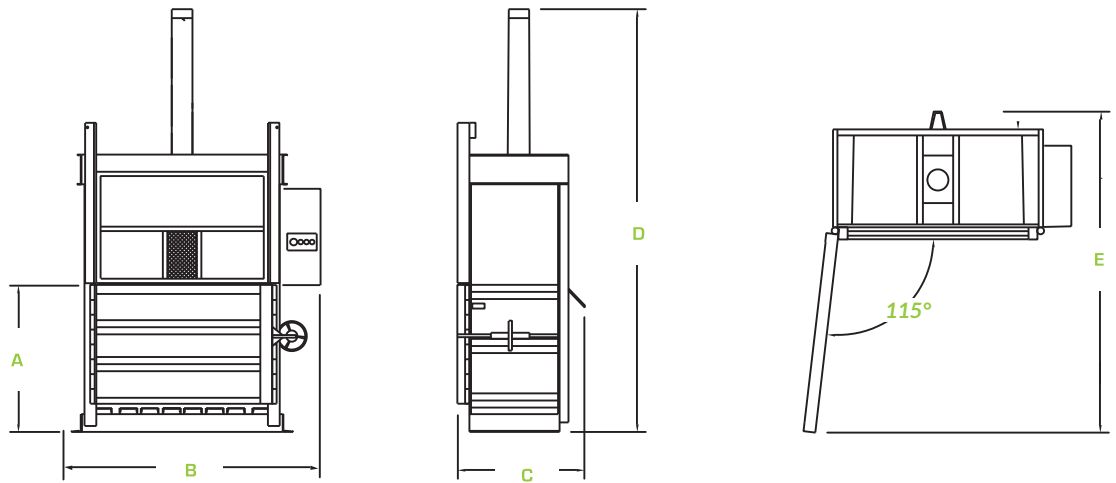
**LEARN MORE AT [WWW.BACECORP.COM](http://WWW.BACECORP.COM)**

Toll Free: (877) 506-BACE (2223) • Fax: (704) 394-2210  
BACE equipment meets or exceeds ANSI standard Z245.5.

# BACE Vertical Baler V63HDLP

## DIM. (in./mm)

- A. 36/914
- B. 87/2210
- C. 43/1092
- D. 105/2667
- E. 92.5/2350



SPECIFICATIONS	
<b>PERFORMANCE</b>	
Nominal Bale Size	60" x 30" x 30"
Bale Weight	Up to 700 lbs OCC
Bale Volume	50 cu. ft.
No. of Bale Tie Slots	6
Compact Force lbs - Normal / Maximum	62,203
Platen Pressure	36 PSI
Average Cycle Time	25 Seconds
Loading Height	49.50"
Ejector System	Semi-Automatic
Full Bale Switch	Standard
<b>HYDRAULIC / ELECTRICAL</b>	
Motor HP	10
Voltage 3 Phase	208V, 230V, 480V
Full Load Amps (A = Amps)	32A, 28A, 14A
Pump GPM	15
Normal System Pressure PSI	2200
Cylinder Bore x Stroke	6" x 30"
Hydraulic Tank-Capacity Gallons	22
ADDITIONAL HYDRAULIC/ELECTRICAL CONFIGURATIONS ARE AVAILABLE. PLEASE CALL BACE FOR MORE INFORMATION.	

## Available Options

- Slotted Front Door
- Wire Guides (allows for front bale tie-off)
- Rear Feed Opening, Front Eject
- Feed Chute
- Counter Weighted Floppy Retainer Dogs
- Oil Heater
- Weather Proof Package

*Due to continual product improvement BACE reserves the right to change specifications without notice.  
The information and pictures used in the document are for illustrative purposes only.  
Printed on recycled paper.*