



BACE

BACE Vertical Balers VMAX26 & VMAX45

The VMAX26 & VMAX45 are designed to meet the specifications of your client's back haul program without compromising the rigorous baling expectations of the backroom personnel.

These balers produce bales specifically weighted and dimensioned to fit 26 & 45 into a container improving container weights from the client's approximately 30,000 lbs. to over approximately 55,000 lbs thereby providing up to a 73% increase.



Key features:

1. Structural steel construction
2. CSA and UL Listed components with external motor-starter resets prevent personnel from having to open control boxes.
3. Gradual release-wheel locking-door mechanism
4. Side-mounted power unit for optimal and safe routine maintenance
5. Heavy-duty cylinders with 3-to-1 safety pressure rating and solid rod
6. Automatic-opening solid safety gate with user-friendly loading height
7. Roller chains and sprockets with bearings for positive tracking and easier operation on counter-balanced solid safety gate operation
8. Fixed retainer dogs in the front and rear of the unit
9. Concealed limit and proximity safety switches
10. Semi-automatic chain-ejection system
11. Nema 4 Control Box & Controls
12. Platen Cylinder Safety Cable

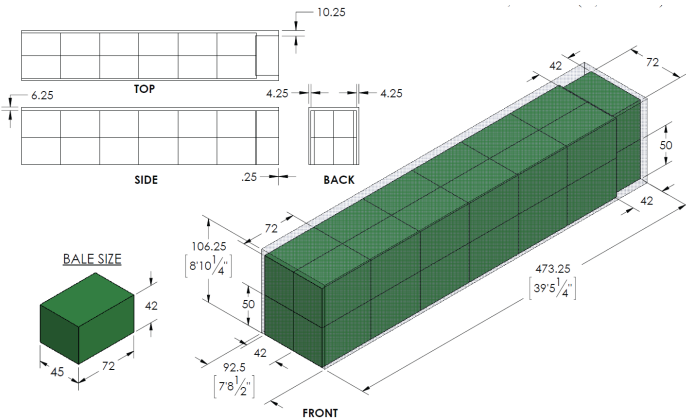


LEARN MORE AT WWW.BACECORP.COM

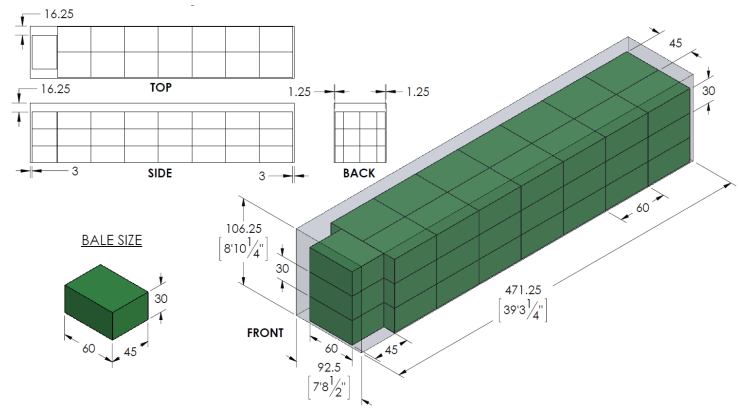
Toll Free: (877) 506-BACE (2223) • Fax: (704) 394-2210
BACE equipment meets or exceeds ANSI standard Z245.5.

BACE Vertical Balers VMAX26 & VMAX45

VMAX26



VMAX45



SPECIFICATIONS	VMAX26	VMAX45
PERFORMANCE		
Nominal Bale Size	72" x 42" x 45"	60" x 30" x 48"
Bale Weight	1700 to 2000 lbs OCC	1100 to 1400 lbs OCC
Bale Volume	79 cu. ft.	50 cu. ft.
No. of Bale Tie Slots	7 (18' by 12 GA.)	5 (14' by 12 GA.)
Average Cycle Time	55 sec (33.4 sec with optional regen)	55 sec (33.4 sec with optional regen)
Loading Height	54.5"	54.5"
Feed Opening	26"	26"
Full Bale Switch / Light	Standard	Standard
HYDRAULIC / ELECTRICAL		
Motor HP	10 HP Submersible	10 HP Submersible
Voltage 3 Phase	208V, 230V, 480V	208V, 230V, 480V
Full Load Amps (A = Amps)	32A, 28A, 14A	32A, 28A, 14A
Dual Pump GPM	14/4 Dual	14/4 Dual
Normal System Pressure PSI	3000	3000
Max. System Pressure PSI	3300	3300
Compact Force lbs – Normal/Maximum	150,798 / 165,878	150,798 / 165,878
Platen Pressure	50 PSI	87 PSI
Cylinder Bore x Stroke	8" x 48"	8" x 48"
Hydraulic Tank Capacity Gallons	38 gal (60 gal with optional regen)	38 gal (60 gal with optional regen)

ADDITIONAL HYDRAULIC/ELECTRICAL CONFIGURATIONS ARE AVAILABLE. PLEASE CALL BACE FOR MORE INFORMATION.

Available Options

- IntelliBALE System™ (patent pending)
- Regen circuitry
- Wire guides (allows for front bale tie-off)
- Oil heater
- Weather proof package