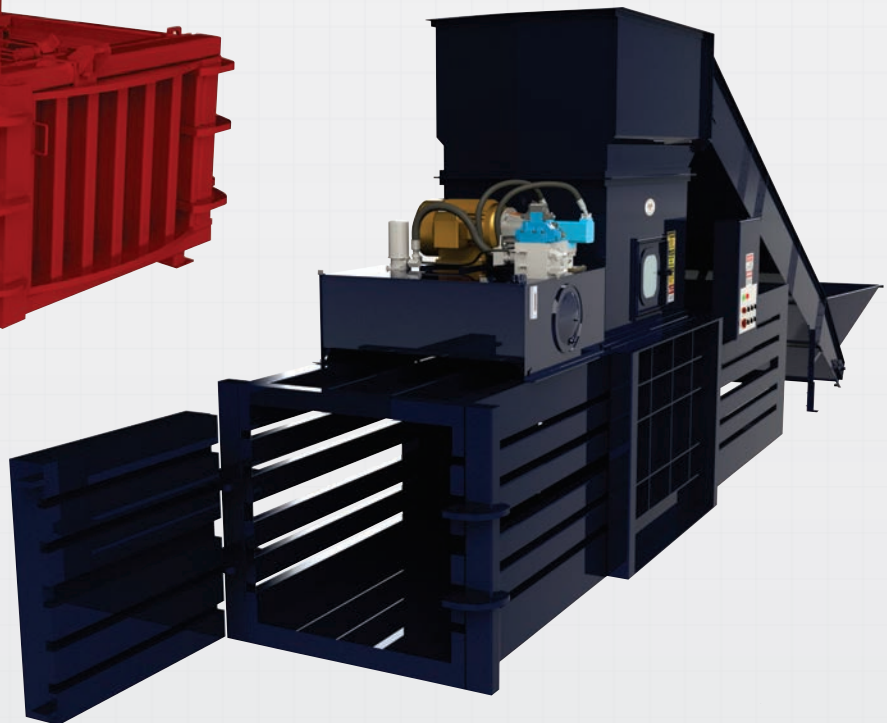
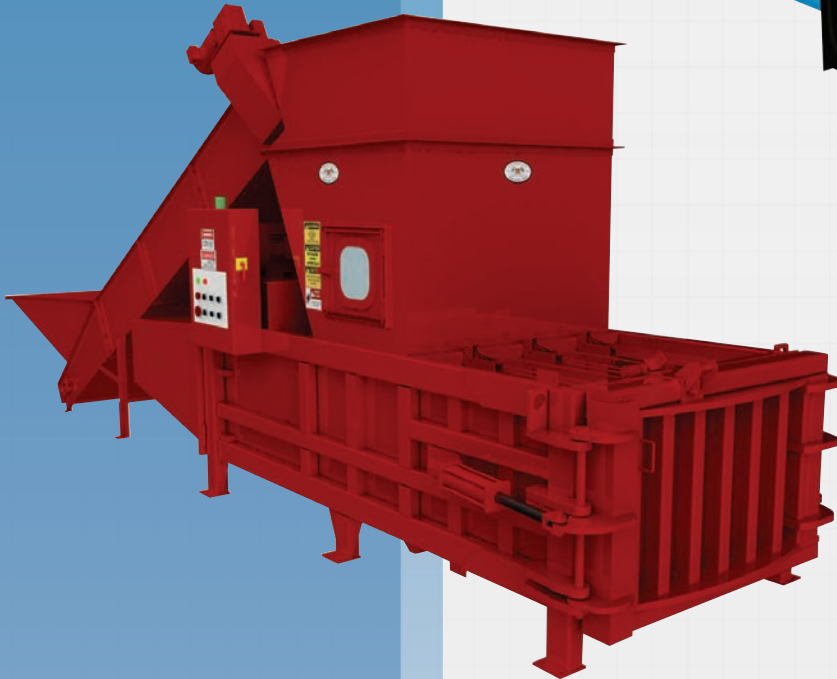
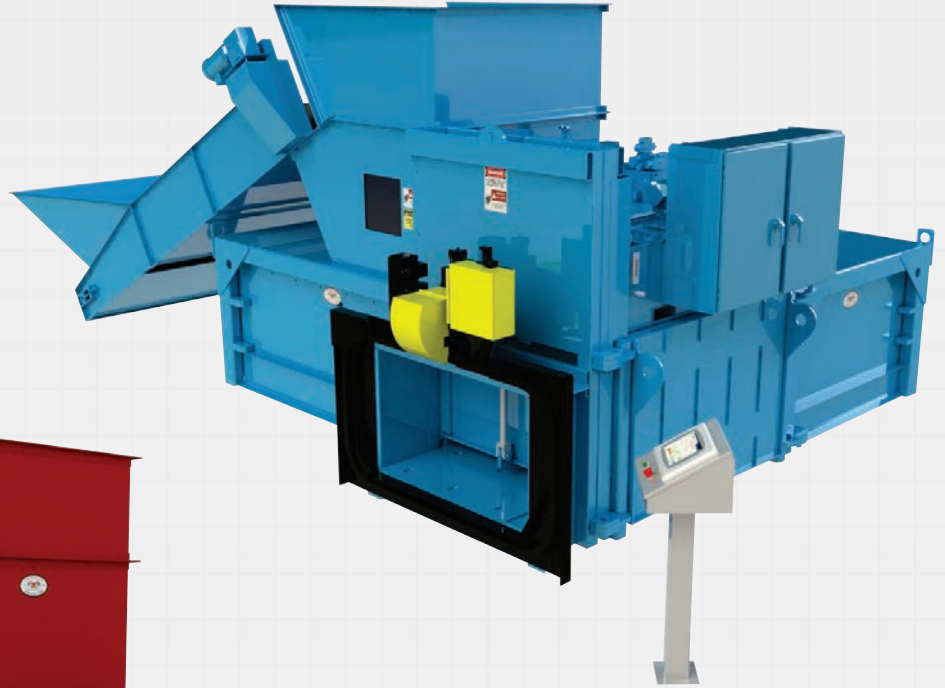


# Horizontal Baler



**CRAM-A-LOT®**  
J.V. Manufacturing, Inc.  
Solid Waste & Recycling Equipment



**“Equipping The World For A Better Environment”**

# Features

Our range of Horizontal Balers are high performance machines designed to process a variety of recyclable materials into high density bales.

## THESE POWERFUL UNITS ARE IDEAL FOR:

- Recycling Centers
- Distribution Centers
- Factories & Industry
- High Volume Material Generators
- Material Recovery Facilities

## DESIGNED FOR:

- Baling a Variety of Materials
- High Volume Processing
- High Density Bales
- Safe & Efficient Operation

## HX SERIES CLOSED END

The HX series closed end balers are superbly suited to Distribution Centers and Industrial applications where large volumes of single material types are being processed, including cardboard, shrink wrap, newsprint, and cloth.

## HE-60 "BIG MOUTH"

This full penetration, wide mouth baler is ideal for recycling centers that are processing a variety of material types, including OCC, PET, aluminum cans, and shrinkwrap. This baler produces a 60" x 30" x 48" mill-ready bale, and can produce undersized bales if required.

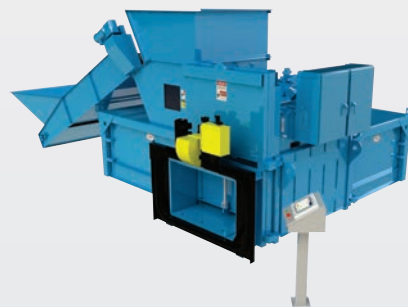
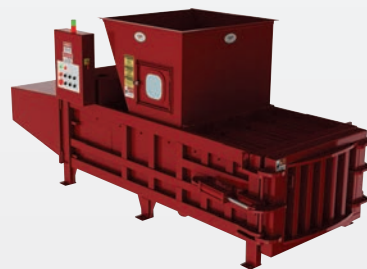
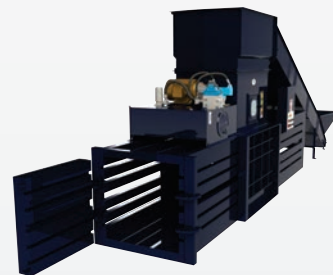
## H2R-60 AUTO TIE

**NEW!!**

The H2R-60 is the flagship of the Cram-A-Lot range of horizontal balers. This two ram, auto tie baler is designed for Material Recovery Facilities, Recycling Centers, and Distribution Centers that need to process high volumes of recyclables daily. The auto tie feature reduces labor costs and increases throughput.

## MATERIAL HANDLING SOLUTIONS

We offer a variety of custom engineered material handling solutions to feed your horizontal baler easily and efficiently, including standard conveyors, pit conveyors, tippers, and custom designed carts.



# Installed Applications



**CRAM-A-LOT®**  
J.V. Manufacturing, Inc.   
Solid Waste & Recycling Equipment

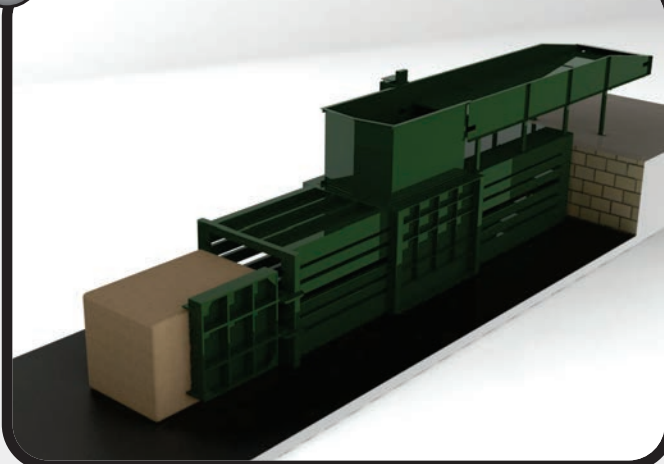
**HE-60 with Walk-on Dock Mount**



**H2R-60 with Conveyor**



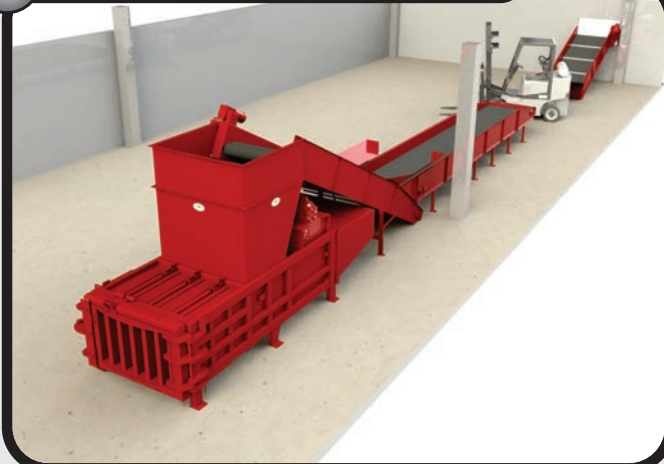
**HX-72 with Over the Back Conveyor**



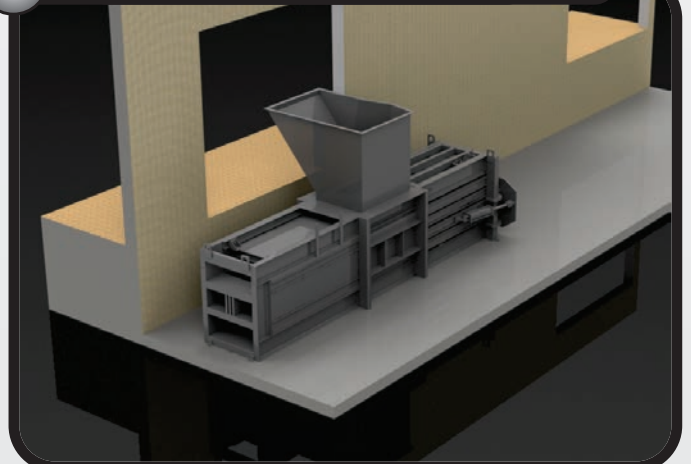
**Walk-on Platform & Remote Power Unit**



**HE-60 with Sorting Conveyor**



**HX-72 with Left Hand Open Hopper**



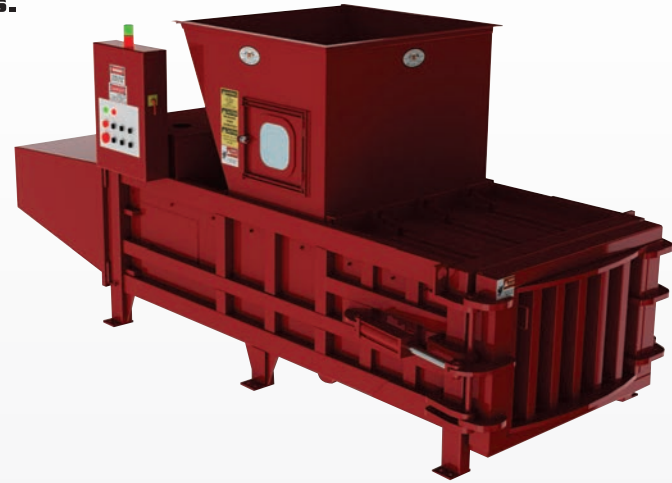
# HE-60 "Big Mouth"

Our HE-60 baler can process a variety of materials and produce a standard mill spec 60" bale. It has the largest clear-top opening in our model range and is ideal for the medium volume processor.

Full penetration ensures high-density bales.

## FEATURES

- UL/CUL listed Control Panel
- WASTEC Rated
- Programmable Controller
- Adjustable Hardened Shear Blade
- Full-bale and Advance Warning Indicators
- Automatic Bale Ejection System
- Auto-cycle with Photocell
- Start-up Alarm & Light
- Name Brand Electrical & Hydraulic Components
- Custom Hoppers Available



Cram-A-Lot HE Series Balers are designed for ease of installation, operation, & maintenance. These balers can process a wide variety of materials including OCC, newsprint, office paper, aluminum cans, PET bottles, shrink wrap, cloth, copper, brass and other non-ferrous metals.

## DESIGN FEATURES

- Heavy Duty construction provides long service life
- 8" High Performance Cylinder – Made in USA
- Automatic Cycle feature controlled by Photocell
- Power Source IHM (Integrated Hydraulic Manifold) system reduces the number of hydraulic hoses & fittings, providing a cleaner, more reliable and more durable hydraulic system.
- Hydraulic Door Latch
- Wire Guide Tie System
- Conveyor Feed Controls with Photocell
- Conforms to all current ANSI Z 245.5 safety standards

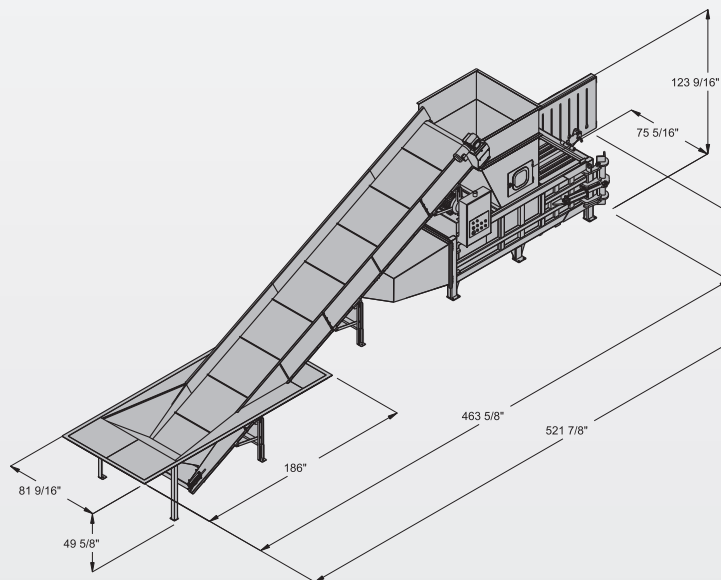
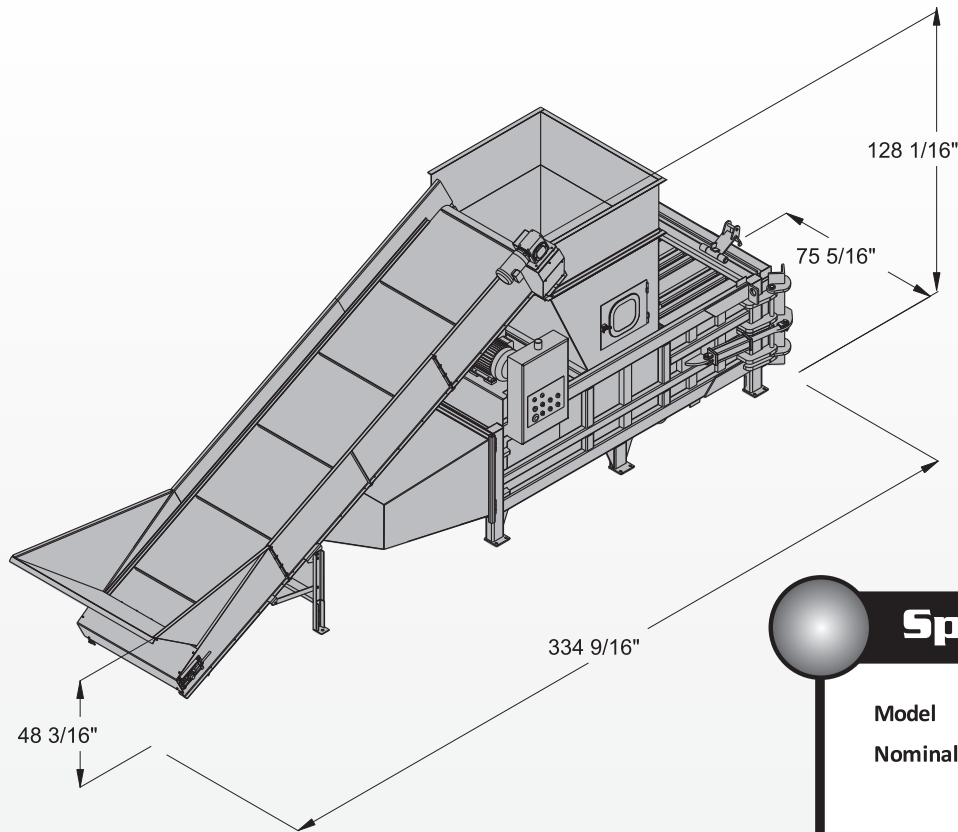
## OPTIONAL FEATURES

- Remote Power Unit
- Motor Upgrade to 30hp
- Oil Cooler
- Oil Heater
- Biodegradable Oil
- Custom Hopper Solutions
- 48" or 60" Standard or Pit Conveyor Systems





**CRAM-A-LOT®**  
*J.V. Manufacturing, Inc.*  
**Solid Waste & Recycling Equipment**



Pit Conveyor

## Specifications

<b>Model</b>		<b>HE-60</b>
<b>Nominal Bale Size</b>	L	48"
	W	60"
	H	30"
<b>Bale Weight Up to</b>	(OCC)	1,300 lbs
<b>Throughput</b>	(OCC)	2.5 bales per hr
<b>Main Cylinder</b>	B	8"
	S	84"
	R	5"
<b>Door Cylinder</b>	B	5"
	S	12"
	R	2"
<b>Motor</b>		20 hp
<b>Pump @ 1800 rpm</b>		37.5 Gpm
<b>System Pressure</b>	Normal	2,400 psi
	Maximum	2,800 psi
<b>Platen Force</b>	Normal	120,600 lbs
	Maximum	140,800 lbs
<b>Platen Face Pressure</b>	Normal	67 psi
	Maximum	78.2 psi
<b>Cycle Time no load</b>		47 sec
<b>Unit Weight</b>		15,200 lbs
<b>WASTEC Rated Size</b>		1.37 yd <sup>3</sup>

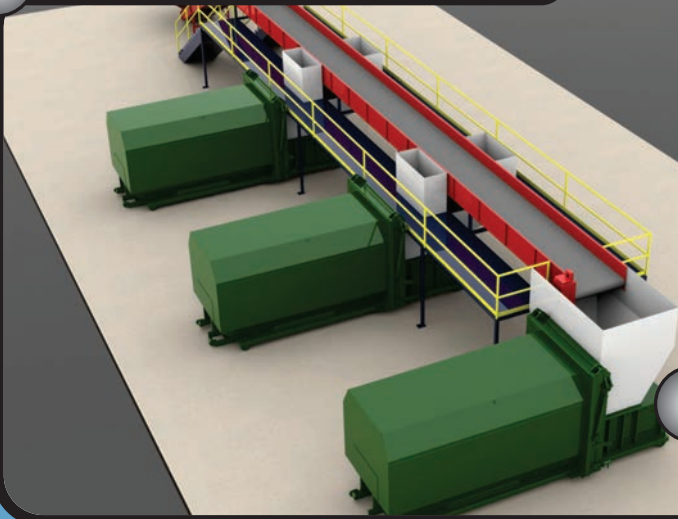
Special modifications quoted upon request

All information is subject to engineering and/or other changes without notice

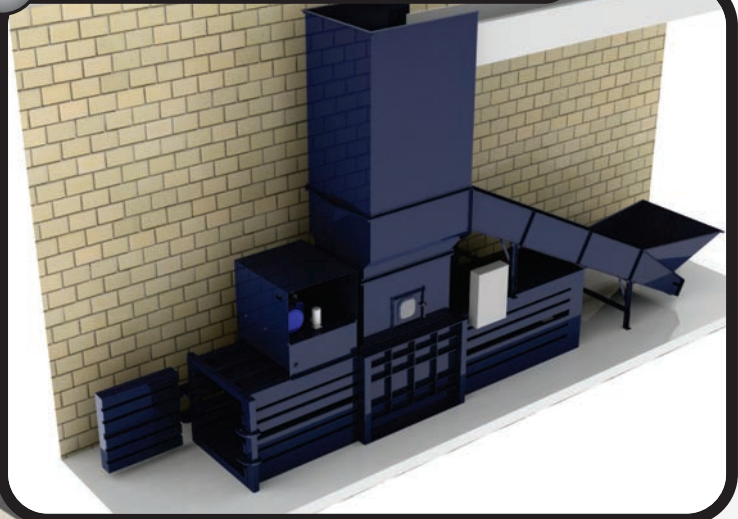
# Conveyors

We offer several conveyor systems to meet your unique material handling needs. Available in 30", 36", 48", & 60" width and lengths from 10ft to 32ft. Conveyors come equipped with 1 1/2 or 2hp motors, 30:1 gear reducer, and PVC-120 roughtop belts. Cleated or uncleated belts are available.

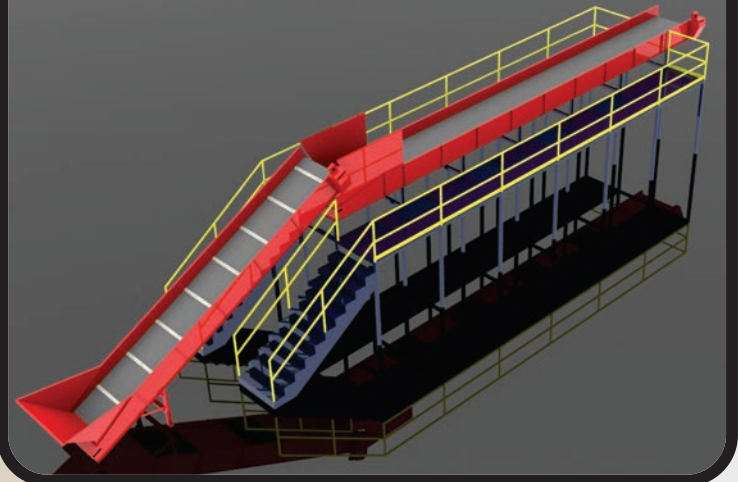
Sorting Conveyor



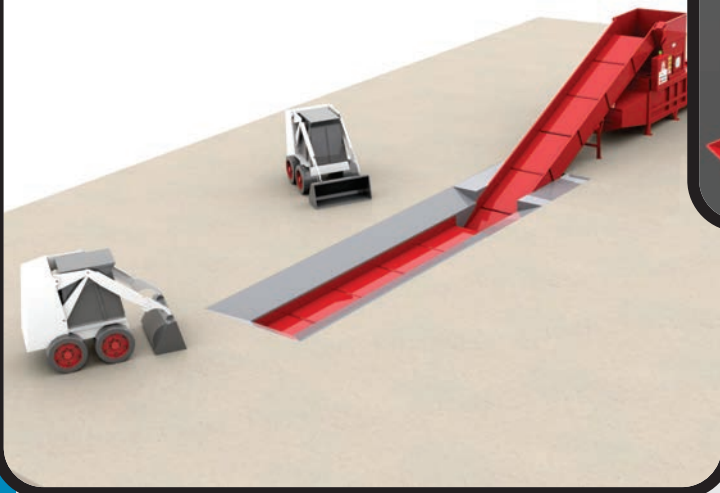
HX with Dual Conveyor



Sorting Conveyor



HE-60 with Pit Conveyor

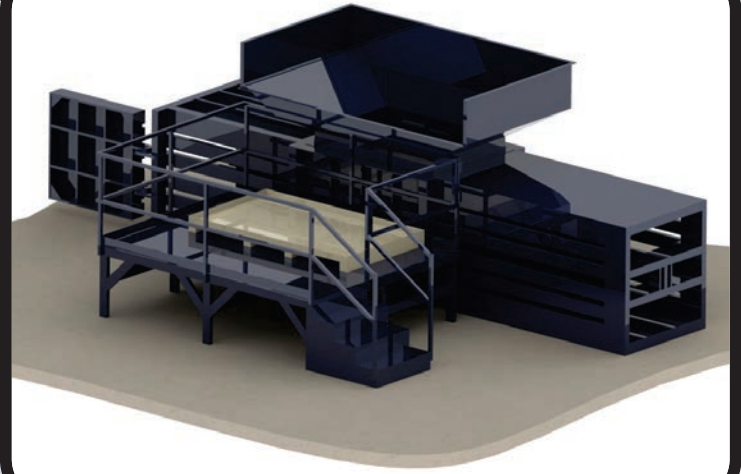


# Specialty Applications



**CRAM-A-LOT<sup>®</sup>**  
J.V. Manufacturing, Inc.   
Solid Waste & Recycling Equipment

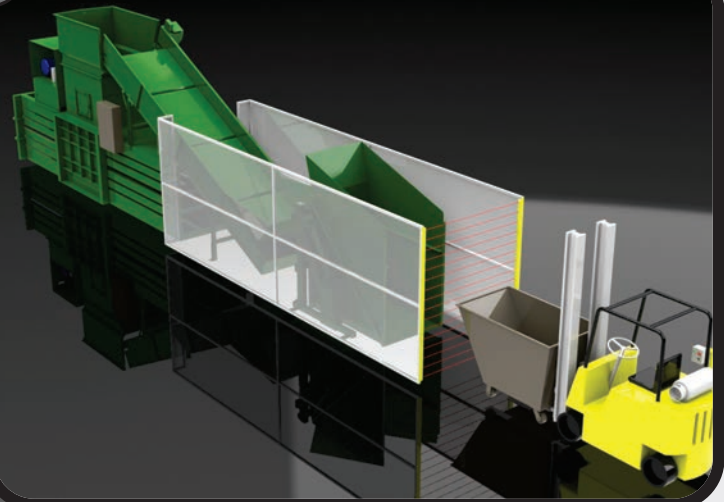
**HX with Walk-on Platform**



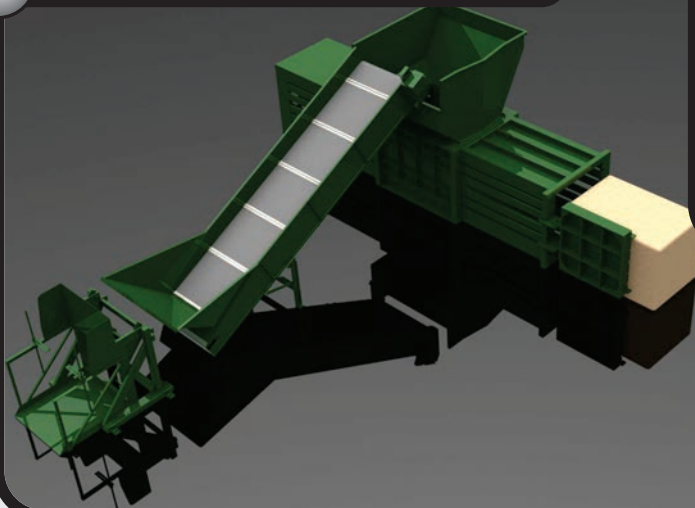
**HE with Rear Conveyor & Tipper**



**HX with Rear Conveyor & Tipper**



**HX with Side Conveyor & Tipper**

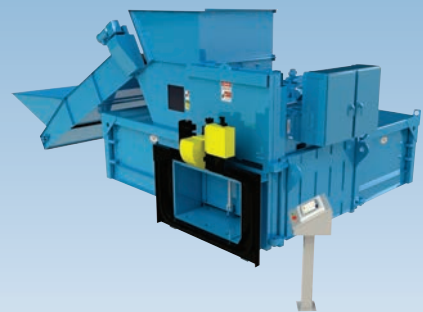
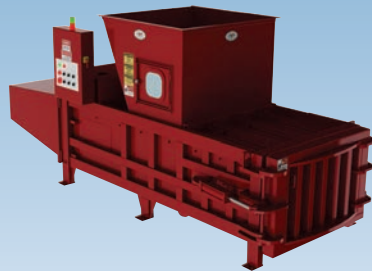
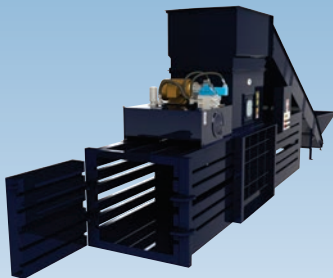




# CRAM-A-LOT®

*J.V. Manufacturing, Inc.*

***Solid Waste & Recycling Equipment***



## **Leasing and Rental Programs Available**

**Compactor Units can be custom designed  
and factory installed to suit your special applications**

### ***Cram-A-Lot® 1-2-3 Warranty***

J.V. Manufacturing will furnish without charge:

- 1) All parts and labor expenses through the first year of ownership to remedy any faults proven to be the result of defective materials or workmanship.
- 2) All parts through the second year of ownership to remedy any faults proven to be the result of defective materials or workmanship.
- 3) All labor expenses through the third year of ownership to remedy any structural faults proven to be the result of defective materials or workmanship.

This warranty does not apply to any damage caused by negligence, misuse, modifications, alterations, or accidents by purchaser or third parties.  
Refer to operation manual for specific warranty coverage.

#### **CORPORATE OFFICE**

P.O. Box 229  
701 Butterfield Coach Road  
Springdale, AR 72765

1-800-678-7320  
479-751-7320  
479-751-7774 (fax)

#### **DISTRIBUTED BY:**

**[www.cram-a-lot.com](http://www.cram-a-lot.com)**

05-13