

Large, Heavy Duty, Single Shaft Shredder

Ideal for processing especially hard, bulky products.

Comet's large, heavy duty CSL-SS series single shaft shredders are designed for processing plastic waste for recycling and reclamation, large or awkward extruder purgings, rejected parts, trim scraps, plastic profiles, film, synthetic fiber, electronic waste, plastic packaging, wooden pallets (including nails) and other organic materials. Its large shredding chamber and loading hopper capacity, combined with a PLC controlled horizontal ram-pusher, ensures optimum material feeding to the rotor to achieve the most efficient performance. Throughputs typically range between 3,307 to 26,455+ lbs./hr. (1,500 to 12,000+ kg/hr.) depending on the model, material type, and application.



CSL-SS2800

Features

- Energy efficient coupled with maximum cutting force and productivity.
- Shock absorbing gearbox reduces stress on the drive components.
- Rotor knives can be rotated (4-ways) and used on several edges before replacement.
- Long lasting counter knives can be adjusted to maintain cutting clearance.
- Quick change screens for accurate particle size control.
- Copper blocks and guide bars provide steady ram-pusher movement.
- Segmented shredding chamber floor with brass guides and PU slides.
- High torque gearbox supported by anti-vibration arm.
- Twin speed hydraulics with integrated air cooler for continuous operation.
- Stand alone electrical control panel with Siemens PLC control system.
- Tested, approved, and certified to the applicable CE safety standards.



Rotor & Screen



Ram-Pusher



Driving Unit



Control Panel





1

Rotor

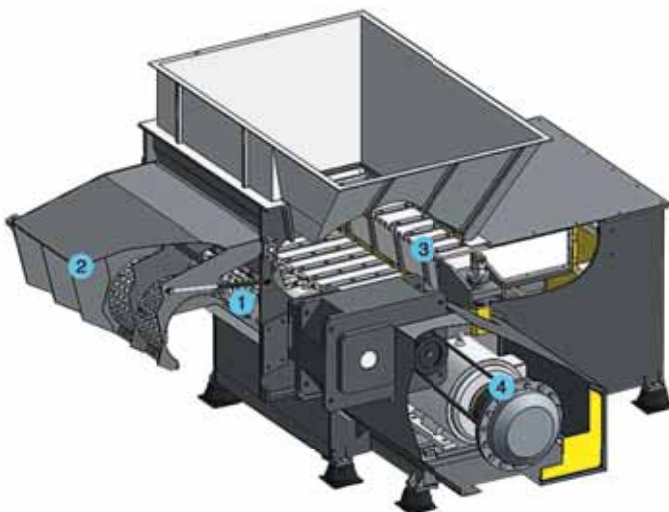
- 4-way reversible rotor knives
- Exchangeable knife holders
- Adjustable counter knives
- High impact, heat treated knives



2

Screen Basket

- Supported by strong reinforcement
- Cylinders open on both sides
- Easy maintenance



3

Ram

- Anti-skid teeth
- Copper blocks and guide bars enable steady movement of ram-pusher
- Automatic cleaning system



4

Drive System

- High torque gearbox supported by anti-vibration arm plus high quality belts
- Fluid coupling available for 55 & 75kW motor

Specifications

Model	CSL-SS1500	CSL-SS2000	CSL-SS1700	CSL-SS2200	CSL-SS2800	CSL-SS1800	CSL-SS2400	CSL-SS3000
Dimensions (L x W x H) inches (mm)	143 x 113 x 104 (3,630 x 2,865 x 2,630)	143 x 168 x 104 (3,630 x 4,255 x 2,630)	150 x 122 x 108 (3,800 x 3,100 x 2,750)	150 x 177 x 108 (3,800 x 4,500 x 2,750)	150 x 201 x 108 (3,800 x 5,100 x 2,750)	157 x 161 x 112 (4,000 x 4,100 x 2,850)	157 x 185 x 112 (4,000 x 4,700 x 2,850)	157 x 213 x 112 (4,000 x 5,400 x 2,850)
Hopper Inlet inches (mm)	66 x 60 (1,675 x 1,500)	66 x 79 (1,675 x 2,000)	87 x 83 (2,200 x 2,100)	87 x 104 (2,200 x 2,650)	87 x 126 (2,200 x 3,200)	91 x 83 (2,300 x 2,100)	91 x 110 (2,300 x 2,800)	91 x 134 (2,300 x 3,400)
Discharge Height inches (mm)	30 (760)	30 (760)	31.5 (800)	31.5 (800)	31.5 (800)	31.5 (800)	31.5 (800)	31.5 (800)
Ram inches (mm)	43 (1,100)	43 (1,100)	43 (1,100)	43 (1,100)	43 (1,100)	43 (1,100)	43 (1,100)	43 (1,100)
Rotor Diameter inches (mm)	Φ19 (Φ480)	Φ19 (Φ480)	Φ26 (Φ650)	Φ26 (Φ650)	Φ26 (Φ650)	Φ31.5 (Φ800)	Φ31.5 (Φ800)	Φ31.5 (Φ800)
Rotor Operation Length inches (mm)	59 (1,500)	79 (2,000)	65 (1,650)	87 (2,200)	108 (2,750)	71 (1,800)	95 (2,400)	118 (3,000)
Rotor Speed (RPM)	80	80	80	80	80	80	80	80
Screen (mm)	Φ40	Φ40	Φ40	40	40	Φ40	40	40
Rotor Knives (pcs)	84	95	78	96	118	105	124	156
Counter Knives (pcs)	6	8	6	8	10	6	8	10
Drive Power HP (kW)	120 (90)	75 + 75 (55 + 55)	175 (132)	120 + 120 (90 + 90)	150 + 150 (110 + 110)	120 + 120 (90 + 90)	175 + 175 (132 + 132)	215 + 215 (160 + 160)
Hydraulic Power HP (kW)	14.75 (11)	14.75 (11)	14.75 (11)	20 (15)	20 (15)	14.75 (11)	20 (15)	20 (15)
Hopper Volume cu.ft. (L)	150 (4,200)	195 (5,500)	160 (4,500)	215 (6,000)	290 (8,000)	265 (7,500)	260 (7,400)	325 (9,100)
Approx. Weight lbs. (kg)	22,500 (10,200)	30,425 (13,800)	28,225 (12,800)	37,500 (17,000)	46,300 (21,000)	31,000 (14,000)	44,100 (20,000)	60,000 (27,000)

We reserve the right to change specifications without prior notice.

