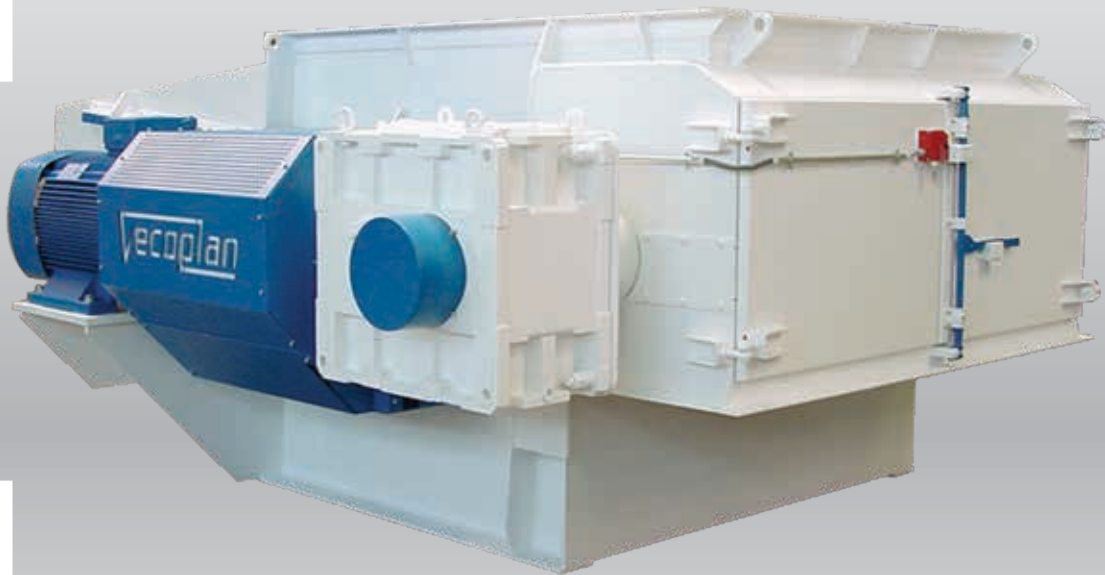


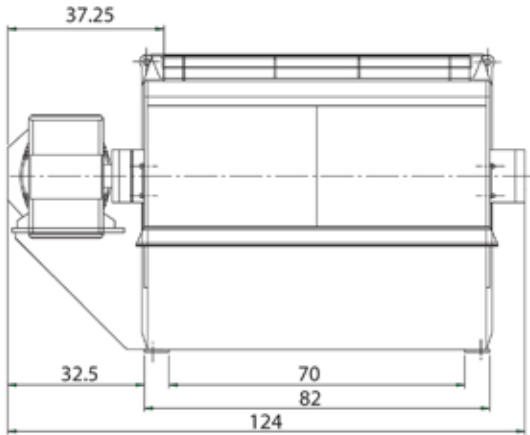
VAZ® 1800

Vecoplan®

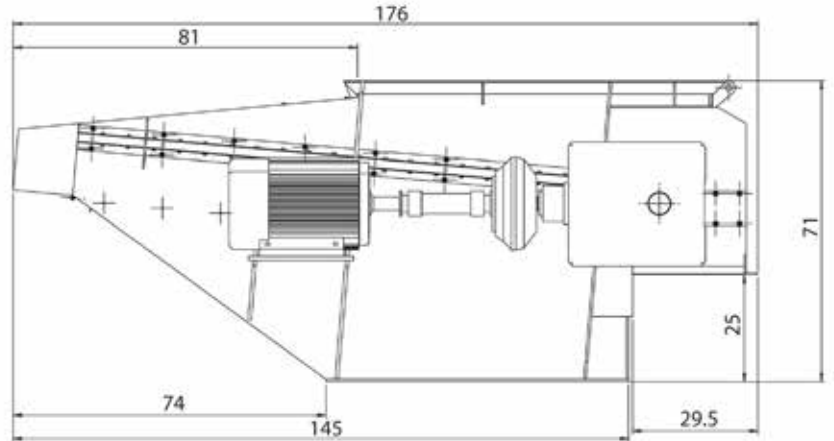


VAZ® 1800 Rotary Shredder

The VAZ® 1800 Shredder is designed for processing plastic waste for reclamation and recycling, large extruder purgings, large reject parts, trim scraps, baled or loose film, synthetic fiber, wood processing scrap, medical waste, cardboard, paper and carpet.



front view



side view

Specifications

Hopper Opening	inch	70x82
Hopper Volume	cubic yards	10.25
Rotor Diameter	inch	20
No. of Cutters	qty	84 (40x40)
Rotor Speed	rpm	125
Drive Motor HP	HP	150, 200
Feed System	HP/speed	10 / 2
Machine Weight	lbs	20,000 - 24,000
Voltage	V/PH/Hz	460/3/60

Features

- Low Speed / High Torque Design
- Touch Pad Monitoring & Control
- Easy Accessibility
- Tramp Metal Protection
- Equity "Buyback" Guarantee
- Low RPM / Low Noise
- Large Infeed Hopper
- Precision Hydraulic "Process Ram"
- 4-Way, Indexable Cutting Inserts
- High Output "Torsion Point" Cutting Rotor
- Severe Duty Construction
- Rugged Hydraulics
- Stress-Free Frame, Robotically Welded
- Lifetime Limited Warranty on Cutting Rotor
- Oversized Drivetrain
- Heavy Outboard Spherical Roller Bearings
- Fluid "TurboCoupling"
- PLC Control Panel
- ISO 9001 Manufactured
- Hinged Protective Cylinder Covers
- 0.015" Knife Gap
- Easy Access Screen

Options

- Optional Control Brands
- Quick Disconnect & Quick Clean Screens
- Application Specific Programming & Control Integration
- Special Purpose Screens
- Critical-Duty Drivetrain
- High Speed Ram
- Wear Resistant Cutting Chamber
- Complete Turn-Key Recycling & Reclamation Systems and Material Handling Products Installation

Available with:
 BridgeBreaker™ (VAZ[®] 1800 N)
 Airspring™ counterknife (VAZ™ 1800-XL F)
 Both BridgeBreaker™ and Airspring™ counterknife (VAZ[®] 1800 NF)