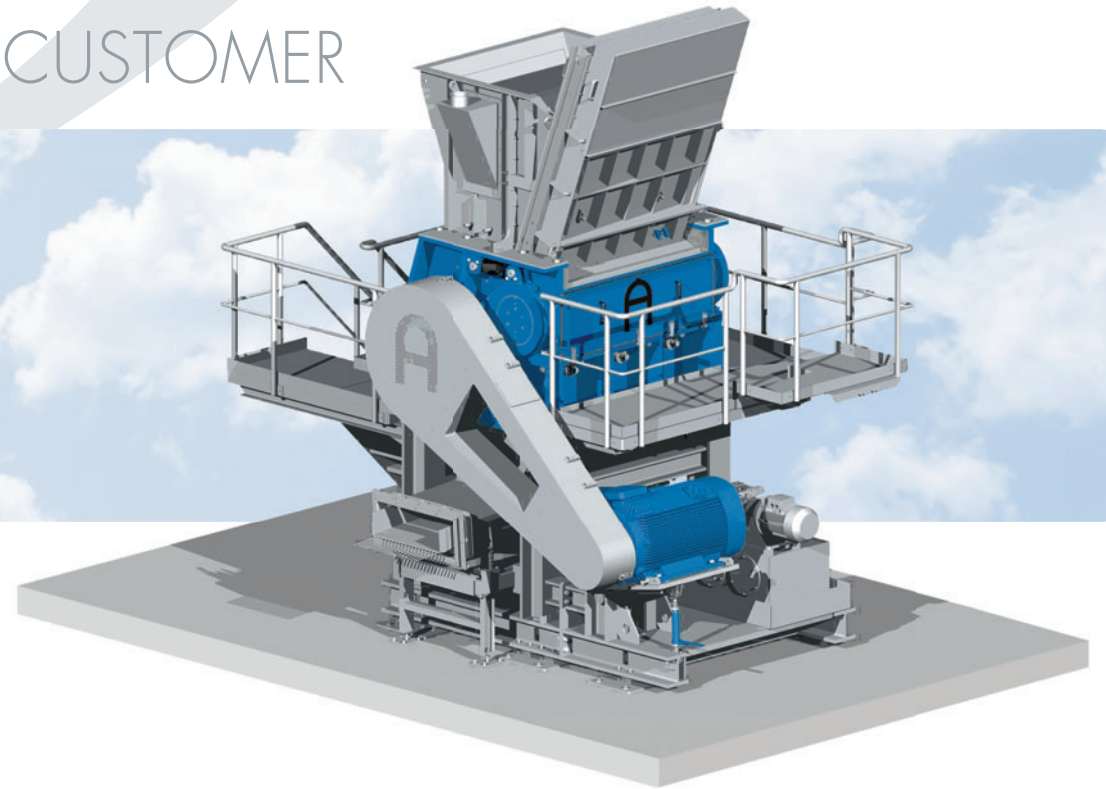


Granulator ANZ



ADELMANN GRANULATORS

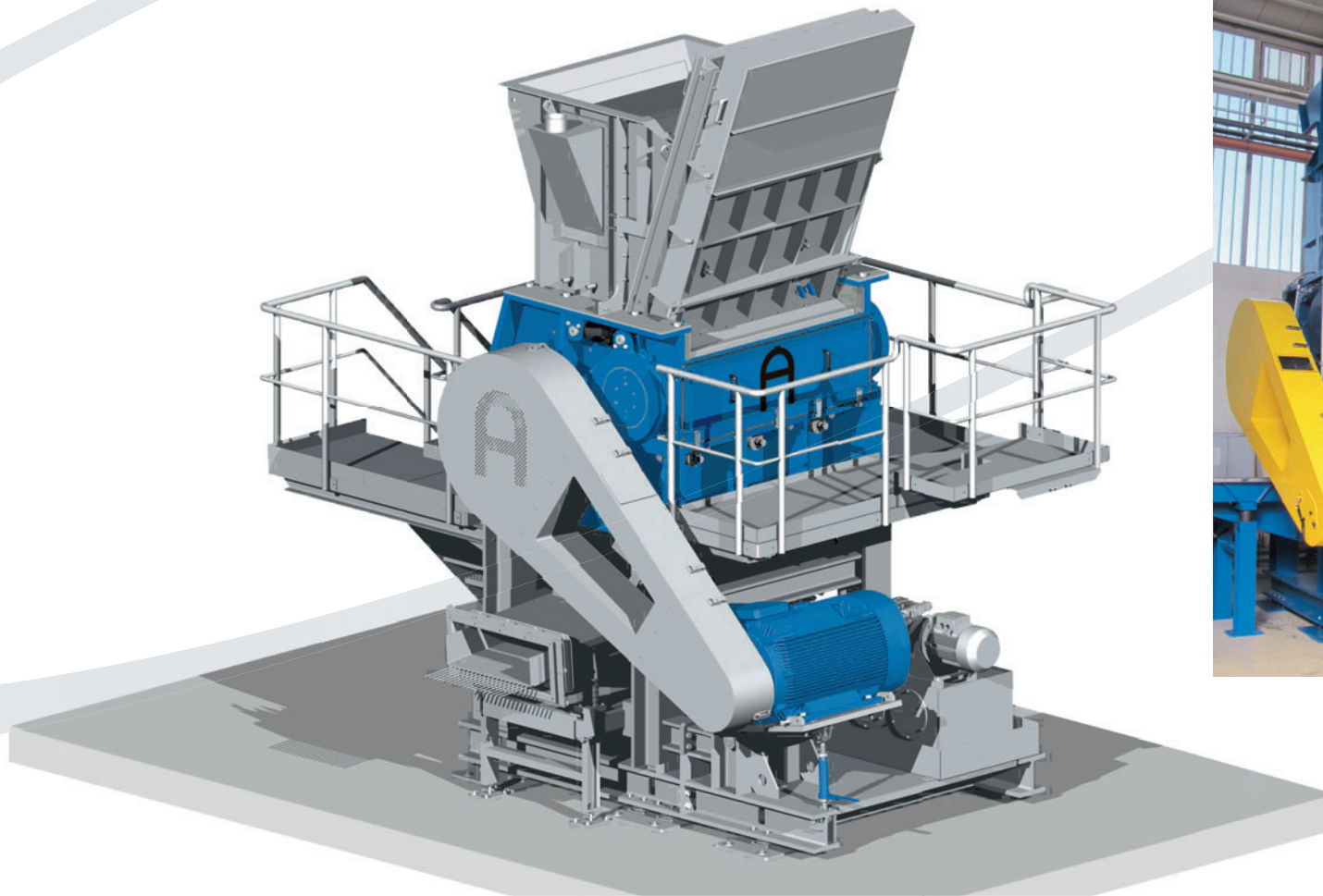
THE IDEAL SOLUTION FOR EACH CUSTOMER



RECYCLING PLANTS AND SOLUTIONS FOR A CLEAN ENVIRONMENT

Granulator ANZ

The **Granulator ANZ AS** is a single-rotor comminution machine which is fitted with cutting blocks, the number of which depend on the granulator's size. As the blocks rotate, material is pushed against an opposing static blade (stator) and is shredded.

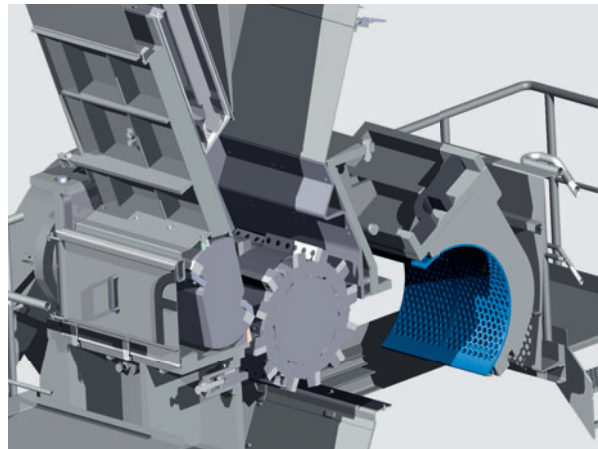


All ANZ models at a glance

Model	ANZ 80/120 AS1	ANZ 80/160 AS1	ANZ 100/200 AS1
Power (kW)	160 - 250	200 - 315	315 - 400
Rotor speed (rpm)	0 - 420	0 - 420	0 - 420
Working width (mm)	1200	1600	2000
Number of stator knives	2 x 6	2 x 8	2 x 10
Number of rotor knives	36	48	80
Number of screen segments	3	4	5

The material is shredded until it is small enough to pass through the screen at the bottom side of the rotor. The diameter of the holes in the screen determines the anticipated grain size of the output material.

A hydraulic pushing mechanism significantly increases the throughput of particularly light material which is fed into the shredding process.



Your advantages when using the ANZ

- Reduced standstill times thanks to the patented quick cutting slot adjustment at your premises
- Continuous high throughput
- Constant output quality
- Minimal maintenance effort
- Reduced labor costs for service
- Protection against foreign objects
- Wear and tear parts are easily exchanged due to easy access and the hydraulically
- swivelling screen system

Whichever material – We've got the solution!

Our comminution machines shred manifold materials, just like:

Electronic
scrap



Wood



Document
folders



Paper
and cardboard



Domestic
waste



Tires



Refrigerators



Plastics



Quality 
Made in Germany



Find detailed
informations online